

AXIAL FAN PRODUCT MANUAL



PEAK Electronics (JiangSu) Co., Ltd

CONTENTS

A COMPANY INTRODUCTION

About PEAK	2
------------	---

B PRODUCT CATEGORY

DC Axial Fan

• Product Summary	3
• 3010	5
• 4010-A	6
• 4010-B	7
• 4020	8
• 4028	9
• 5010-A	10
• 5010-B	11
• 5010-C	12
• 6025	13
• 6038-A	14
• 6038-B	15
• 7025	16
• 8025	17
• 8038	18
• 8080-A	19
• 8080-B	20
• 8086-A	21
• 9225-A	22
• 9225-B	23
• 9238-A	24
• 9238-B	25
• 12025	26
• 12038-A	27
• 12038-B	28
• 14038	29
• 20070	30

COMPANY INTRODUCTION

PEAK Electronics (JiangSu) Co., Ltd

PEAK Electronics (Jiangsu) Co., Ltd. is a high-tech enterprise integrating research, development, production, and sales. It is one of China's key manufacturers for thermal solutions. PEAK has manufacturing bases in Kunshan, Changzhou, Shenzhen, Sichuan, Vietnam, and Thailand, primarily producing thermal products for computers, servers, medical equipment, new energy vehicles, special-purpose devices, and communication equipment. PEAK possesses comprehensive design and manufacturing capabilities for core components and has complete production lines for thermal products such as stamping, heat pipes, vapor chambers, fans, thermal modules, and cold plates.

We have strong R&D capabilities and currently have R&D centers in Kunshan, Shenzhen, and Taipei, providing customers with effective technical support and services. We are equipped with professional laboratories and measurement centers, to ensure the excellent quality of our products, and also to serve customers with complete technical and test support.



PRODUCT CATEGORY

DC AXIAL FAN

■ PRODUCT SUMMARY

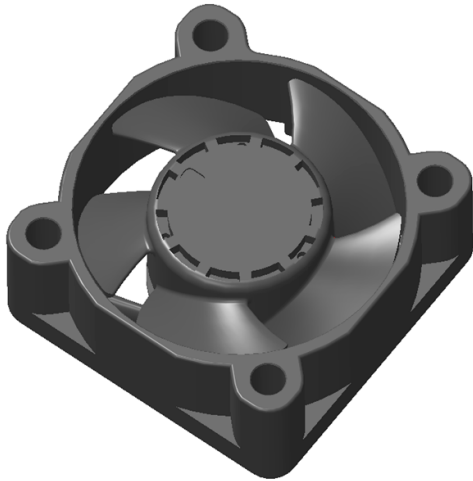
Model	Voltage (VDC)	Current (A)	Power (W)	Speed (RPM)	Air Flow (CFM)	Air Pressure (mmH2O)	Noise (db(A))	Curve
A3010ABB-GM00-OR	12	0.05	0.60	10000	3.90	5.10	25.0	2
A3010ABB-GH00-OR	12	0.07	0.84	13000	5.10	8.10	32.0	1
A4010ASLNF2300SR	5	0.07	0.35	5000	5.30	2.60	22.0	1
A4010BSLNF2300SR	12	0.05	0.60	5000	5.30	2.60	22.0	1
A4010BBB-GL00-OR	12	0.05	0.60	5000	5.30	2.60	22.0	2
A4010BBB-GM00-OR	12	0.07	0.84	8000	8.50	6.40	33.0	1
A4020BBMNG2400SR	12	0.14	1.68	8000	9.50	9.60	34.0	3
A4020BBHNG2400SR	12	0.19	2.28	10000	12.00	13.00	40.0	2
A4020BBUNG2400SR	12	0.25	3.00	12000	14.50	19.60	45.0	1
A4028BBUNF2300SR	12	0.95	11.40	26000	29.45	78.27	60.0	1
A4028BBUNF2301SR	12	0.45	5.40	20000	22.94	47.49	53.0	2
A4028BBUNF2302SR	12	0.25	3.00	15000	17.21	26.71	46.0	3
A4028BBUNF2303SR	12	0.09	1.08	10000	11.47	11.87	37.0	4
A5010ASLNF2300SR	5	0.08	0.40	5500	9.50	3.80	27.0	1
A5010BSLNF2300SR	12	0.06	0.72	5500	9.50	3.80	27.0	1
A5010ABB-GL01-OE	12	0.14	1.68	4500	9.30	2.50	22.5	3
A5010ABB-GM01-OE	12	0.17	2.04	6000	12.60	4.30	28.5	2
A5010ABB-GM00-OE	12	0.22	2.64	8000	16.90	7.00	37.0	1
A5010CSA-FL00-OT	5	0.10	0.50	5500	10.30	3.30	27.0	1
A5010CSB-FL00-OT	12	0.05	0.60	5500	10.30	3.30	27.0	1
A6025BBMNG2302SR	12	0.08	0.96	3000	13.40	2.40	30.0	3
A6025BBMNG2301SR	12	0.20	2.40	5000	23.00	6.40	38.0	2
A6025BBMNG2300SR	12	0.25	3.00	7000	32.80	11.90	45.0	1
A6038BBMNG2400SS	12	0.15	1.80	6000	24.00	12.30	38.0	3
A6038BBHNG2400SS	12	0.45	5.40	10000	40.00	30.50	50.5	2
A6038BBUNG2400SS	12	1.08	13.00	14000	56.00	55.30	60.0	1
A6038BBB-GM02-OR	12	0.15	1.80	6000	18.50	11.00	37.0	3
A6038BBB-GM01-OR	12	0.17	2.00	8000	25.50	17.50	42.0	2
A6038BBB-GH01-OR	12	0.37	4.40	12000	39.00	43.50	52.5	1

Model	Voltage (VDC)	Current (A)	Power (W)	Speed (RPM)	Air Flow (CFM)	Air Pressure (mmH ₂ O)	Noise (db(A))	Curve
A7025ASB-FL00-0T	12	0.50	6.00	3500	27.70	5.20	32.0	2
A7025BBB-GM00-0R	12	0.10	1.20	7000	56.00	15.20	48.0	1
A8025BBLNF2300SR	12	0.08	0.96	2500	32.00	3.40	28.0	3
A8025BBMNF2300SR	12	1.80	1.80	3500	45.20	6.80	37.0	2
A8025BHMNF2300SR	12	0.29	3.48	4500	58.50	8.90	43.0	1
A8038BBUNF2300SR	12	3.00	36.00	15000	125.66	94.60	69.0	1
A8038BBUNF2301SR	12	1.10	13.20	10000	83.85	42.12	61.0	2
A8038BBUNF2302SR	12	0.50	6.00	7000	58.69	20.64	53.0	3
A8038BBUNF2303SR	12	0.18	2.16	5000	11.47	11.87	46.0	4
A8080ABG-GH00-0S	54	2.30	124.20	17500/14500	198.70	229.60	85.0	1
A8080ABB-GH00-1S	12	7.00	84.00	16500/16500	170.20	147.80	77.5	1
A8086ABG-GH00-0S	54	2.25	121.50	17600/14500	200.00	225.20	85.0	1
A9225BBLNF2300SR	12	0.10	1.20	2500	42.00	2.70	30.0	3
A9225BBMNF2300SR	12	0.26	3.12	3500	60.30	5.20	39.0	2
A9225BHMNF2300SR	12	0.50	6.00	4500	72.30	6.80	46.0	1
A9225CBB-GM00-OE	12	0.75	9.00	6000	100.40	16.10	54.5	1
A9225CBB-GL00-OE	12	0.65	7.80	5600	95.50	14.30	52.0	2
A9225CBB-GL02-OE	12	0.40	4.80	4500	75.10	9.90	46.5	3
A9225CBB-GL04-OE	12	0.18	2.16	3500	57.70	6.20	40.5	4
A9225CBB-GE00-OE	12	0.08	0.96	2500	42.40	3.50	30.5	5
A9238CBMNF2300SR	24	0.56	13.44	6500	127.40	22.00	56.5	1
A9238CBMNF2300SR	24	1.00	24.00	10000	142.20	51.60	65.0	1
AC025BBLNF2100SS	12	0.26	3.12	2500	83.20	6.20	40.0	3
AC025BBMNF2100SS	12	0.56	6.72	3500	115.90	11.90	50.5	2
AC025CBHNF2100SR	24	0.12	2.88	2500	83.20	6.20	40.0	3
AC025CBHNF2100SR	24	0.24	5.76	3500	115.90	11.90	50.5	2
AC025CBHNF2100SR	24	0.53	12.72	4500	152.70	19.90	56.0	1
AC025EBLNF2100ST	48	0.08	3.84	2500	83.20	6.20	40.0	3
AC025EBMNF2100ST	48	0.15	7.20	3500	115.90	11.90	50.5	2
AC025EBHNF2100ST	48	0.28	13.44	4500	152.70	19.90	56.0	1
A1238BBLNG2300SR	12	0.50	6.00	3300	124.00	7.35	45.0	1
AC038BBC-GM00-OE	24	1.15	27.60	6000	215.50	30.80	63.0	1
AE038ABB-GL00-0C	14	1.00	14.00	4500	175.50	30.50	59.0	1
AK070ABR-FM00-0S	50	8.00	400.00	7800	1096.00	129.00	80.5	1

Note:

- * Sound level measured at the distance of one meter from the fan intake in free air.
- * The data shows typical value at rated voltage.
- * For products not in the list or custom fan, please feel free to contact us.

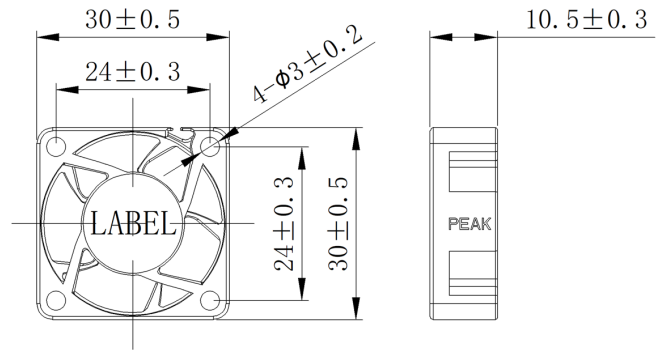
DC Axial Fan - 3010



30 x 30 x 10 MM SERIES

External Dimensions

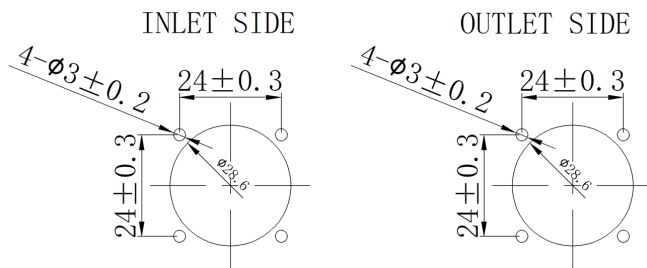
Unit: mm



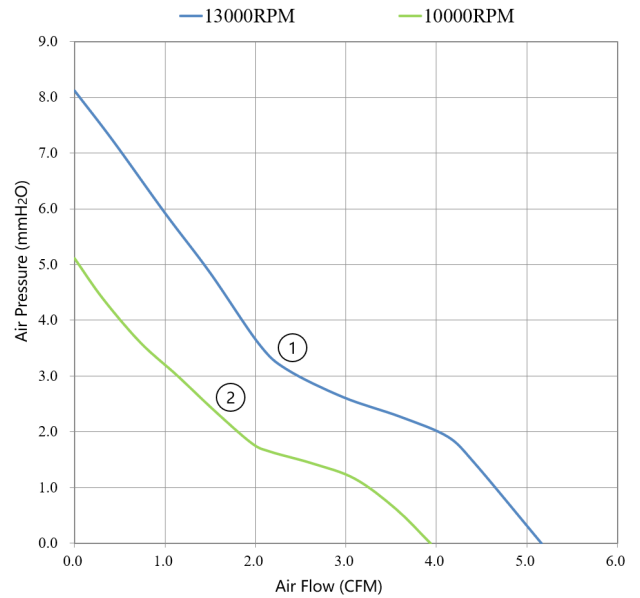
General Specifications

- Impeller: Plastic(Black)94V-0
- Frame: Plastic(Black)94V-0
- Bearing: Ball Bearing
- Life Expectancy: 70000hrs at 40°C
- Operating Temp: -10°C ~70 °C
- Wire/Terminal type: According to the customer's requests
- Mass Weight: 9g (Ref)
- IP Protection Level: IP50~ IP54

Mounting Panel Cut-outs



Performance P&Q Curves



Model	Voltage (VDC)	Current (A)	Power (W)	Speed (RPM)	Air Flow (CFM)	Air Pressure (mmH2O)	Noise (db(A))	Curve
A3010ABB-GM00-OR	12	0.05	0.60	10000	3.90	5.10	25.0	2
A3010ABB-GH00-OR	12	0.07	0.84	13000	5.10	8.10	32.0	1

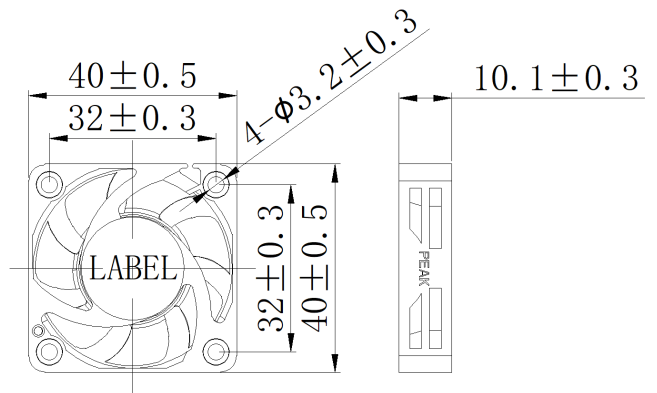
DC Axial Fan - 4010-A



40 x 40 x 10 MM SERIES

External Dimensions

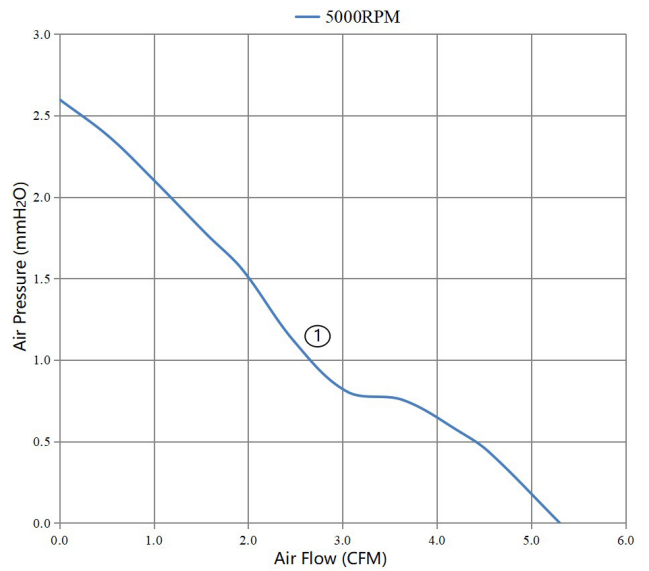
Unit: mm



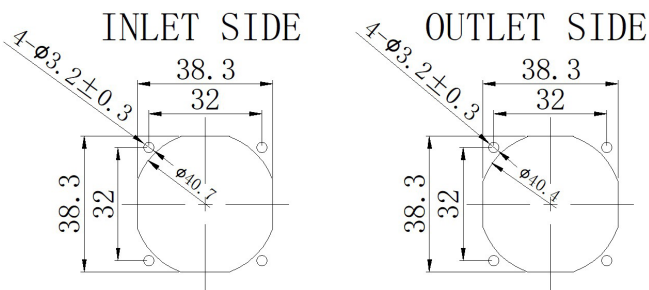
General Specifications

- **Impeller:** Plastic(Black)94V-0
- **Frame:** Plastic(Black)94V-0
- **Bearing:** Sleeve Bearing
- **Life Expectancy:** 30000hrs at 40°C
- **Operating Temp:** -10°C ~70 °C
- **Wire/Terminal type:** According to the customer's requests
- **Mass Weight:** 15g (Ref)
- **IP Protection Level:** IP50~ IP54

Performance P&Q Curves

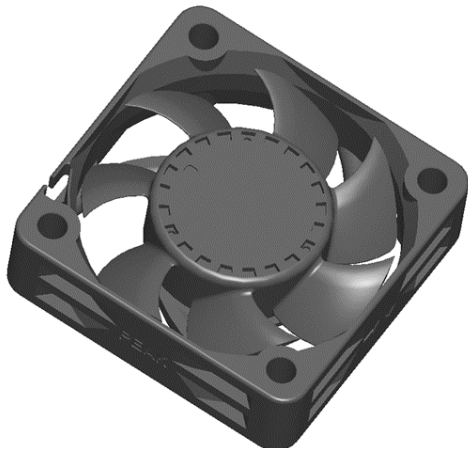


Mounting Panel Cut-outs



Model	Voltage (VDC)	Current (A)	Power (W)	Speed (RPM)	Air Flow (CFM)	Air Pressure (mmH2O)	Noise (db(A))	Curve
A4010ASLNF2300SR	5	0.07	0.35	5000	5.30	2.60	22.0	1
A4010BSLNF2300SR	12	0.05	0.60	5000	5.30	2.60	22.0	1

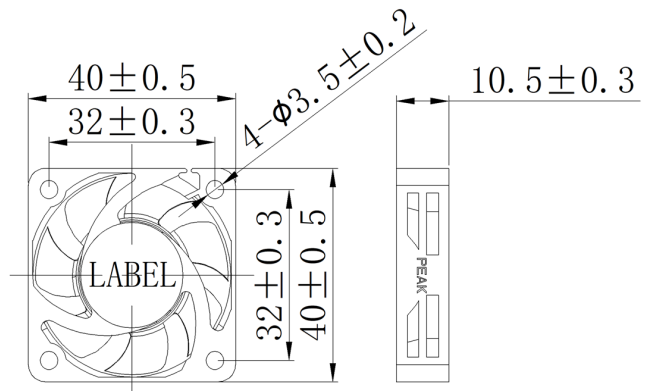
DC Axial Fan - 4010-B



40 x 40 x 10 MM SERIES

External Dimensions

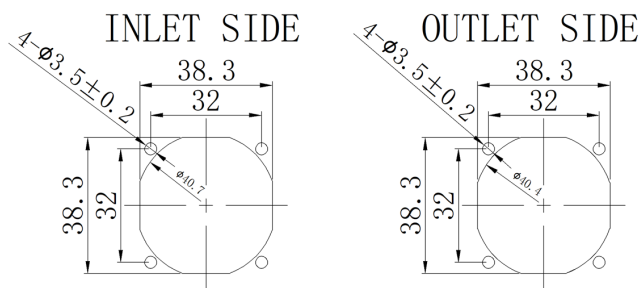
Unit: mm



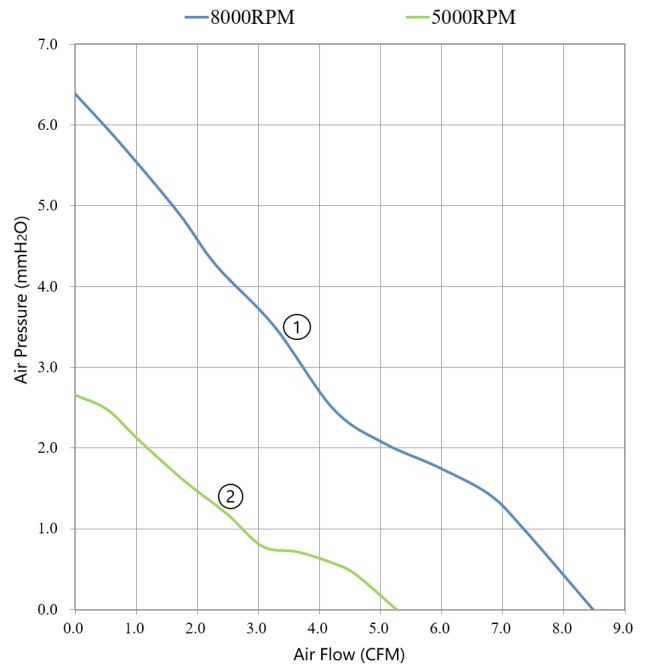
General Specifications

- **Impeller:** Plastic(Black)94V-0
- **Frame:** Plastic(Black)94V-0
- **Bearing:** Ball Bearing
- **Life Expectancy:** 70000hrs at 40°C
- **Operating Temp:** -10°C ~70 °C
- **Wire/Terminal type:** According to the customer's requests
- **Mass Weight:** 17g (Ref)
- **IP Protection Level:** IP50~ IP54

Mounting Panel Cut-outs

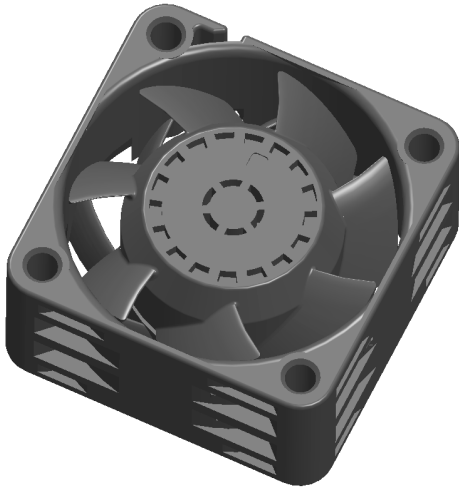


Performance P&Q Curves



Model	Voltage (VDC)	Current (A)	Power (W)	Speed (RPM)	Air Flow (CFM)	Air Pressure (mmH2O)	Noise (db(A))	Curve
A4010BBB-GL00-OR	12	0.05	0.60	5000	5.30	2.60	22.0	2
A4010BBB-GM00-OR	12	0.07	0.84	8000	8.50	6.40	33.0	1

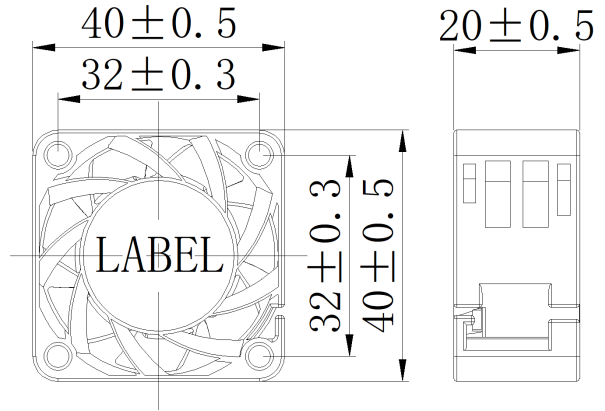
DC Axial Fan - 4020



40 x 40 x 20 MM SERIES

External Dimensions

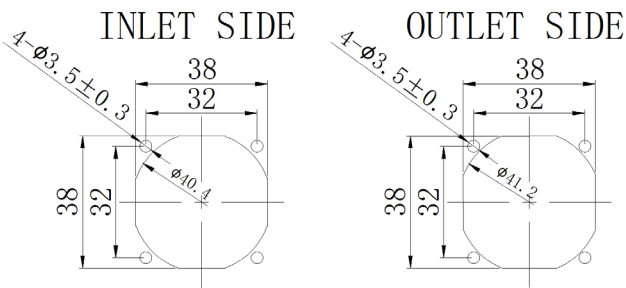
Unit: mm



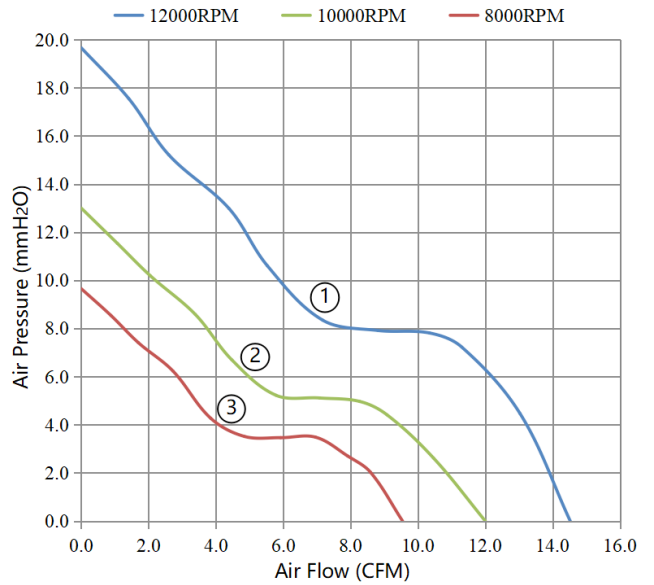
General Specifications

- **Impeller:** Plastic(Black)94V-0
- **Frame:** Plastic(Black)94V-0
- **Bearing:** Ball Bearing
- **Life Expectancy:** 70000hrs at 40°C
- **Operating Temp:** -10°C ~70 °C
- **Wire/Terminal type:** According to the customer's requests
- **Mass Weight:** 40g (Ref)
- **IP Protection Level:** IP50~ IP54

Mounting Panel Cut-outs



Performance P&Q Curves



Model	Voltage (VDC)	Current (A)	Power (W)	Speed (RPM)	Air Flow (CFM)	Air Pressure (mmH2O)	Noise (db(A))	Curve
A4020BBMNG2400SR	12	0.14	1.68	8000	9.50	9.60	34.0	3
A4020BBHNG2400SR	12	0.19	2.28	10000	12.00	13.00	40.0	2
A4020BBUNG2400SR	12	0.25	3.00	12000	14.50	19.60	45.0	1

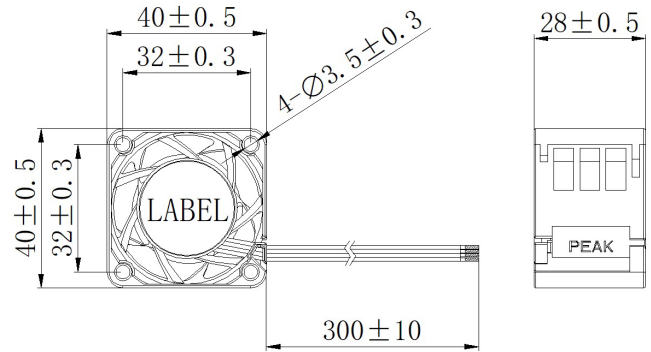
DC Axial Fan - 4028



40 x 40 x 28 MM SERIES

External Dimensions

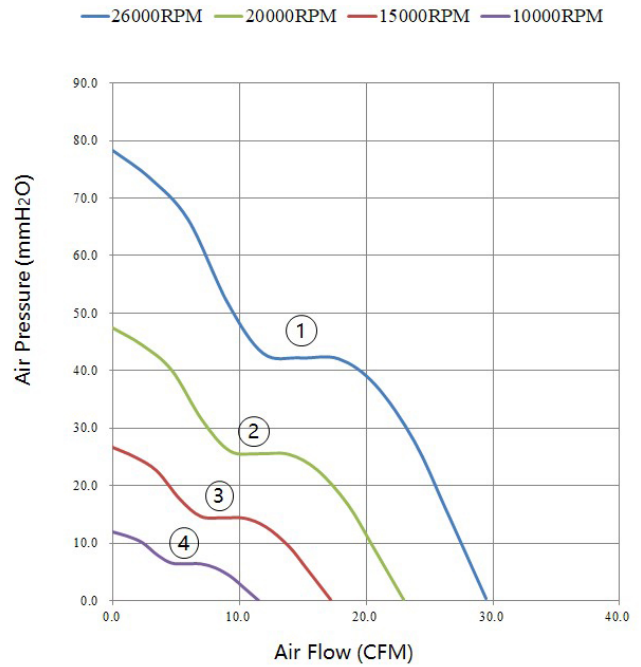
Unit: mm



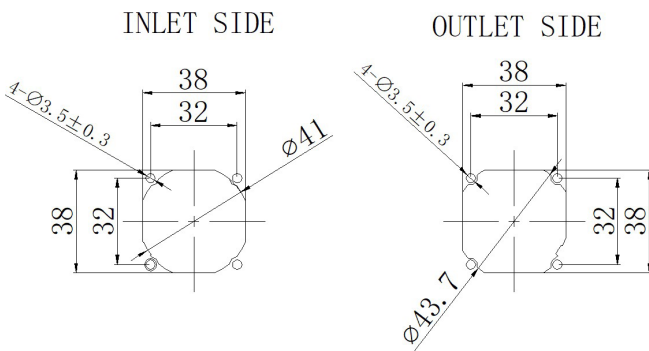
General Specifications

- **Impeller:** Plastic(Black)94V-0
- **Frame:** Plastic(Black)94V-0
- **Bearing:** Ball Bearing
- **Life Expectancy:** 70000hrs at 40°C
- **Operating Temp:** -10°C ~70 °C
- **Wire/Terminal type:** According to the customer's requests
- **Mass Weight:** 47g (Ref)
- **IP Protection Level:** IP50~ IP54

Performance P&Q Curves

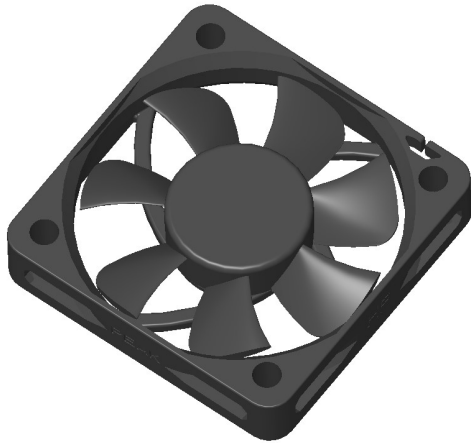


Mounting Panel Cut-outs



Model	Voltage (VDC)	Current (A)	Power (W)	Speed (RPM)	Air Flow (CFM)	Air Pressure (mmH2O)	Noise (db(A))	Curve
A4028BBUNF2300SR	12	0.95	11.40	26000	29.45	78.27	60.0	1
A4028BBUNF2301SR	12	0.45	5.40	20000	22.94	47.49	53.0	2
A4028BBUNF2302SR	12	0.25	3.00	15000	17.21	26.71	46.0	3
A4028BBUNF2303SR	12	0.09	1.08	10000	11.47	11.87	37.0	4

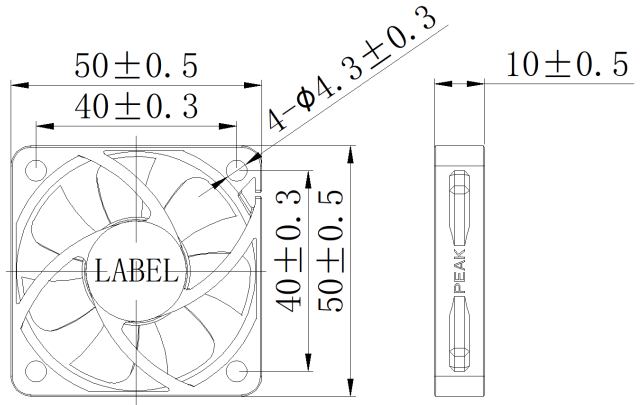
DC Axial Fan - 5010-A



50 x 50 x 10 MM SERIES

External Dimensions

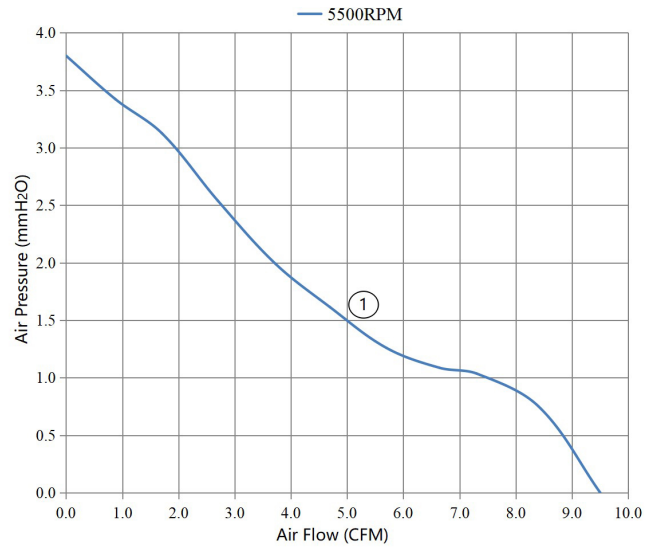
Unit: mm



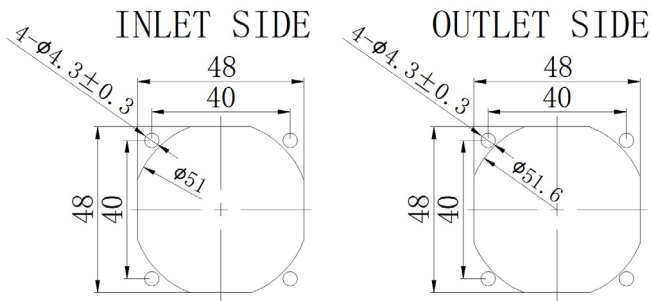
General Specifications

- **Impeller:** Plastic(Black)94V-0
- **Frame:** Plastic(Black)94V-0
- **Bearing:** Sleeve Bearing
- **Life Expectancy:** 30000hrs at 40°C
- **Operating Temp:** -10°C ~70 °C
- **Wire/Terminal type:** According to the customer's requests
- **Mass Weight:** 20g (Ref)
- **IP Protection Level:** IP50~ IP54

Performance P&Q Curves

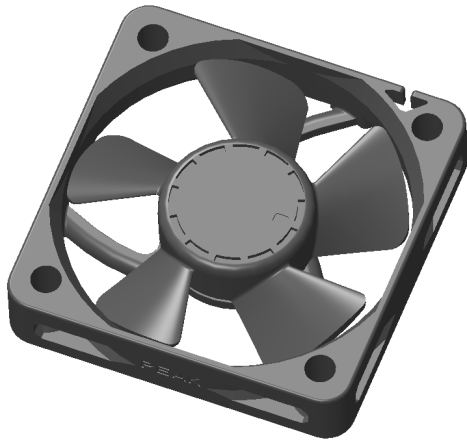


Mounting Panel Cut-outs



Model	Voltage (VDC)	Current (A)	Power (W)	Speed (RPM)	Air Flow (CFM)	Air Pressure (mmH2O)	Noise (db(A))	Curve
A5010ASLNF2300SR	5	0.08	0.40	5500	9.50	3.80	27.0	1
A5010BSLNF2300SR	12	0.06	0.72	5500	9.50	3.80	27.0	1

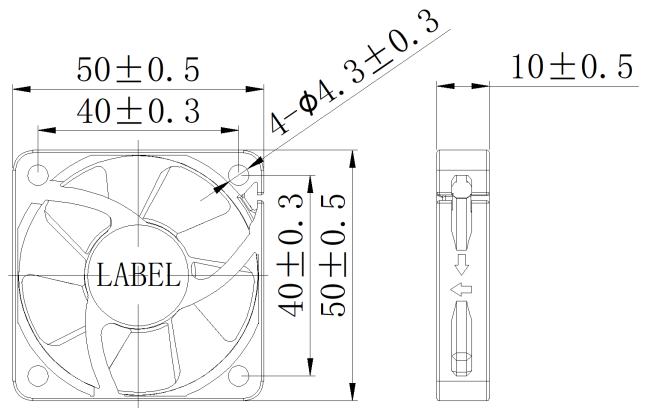
DC Axial Fan - 5010-B



50 x 50 x 10 MM SERIES

External Dimensions

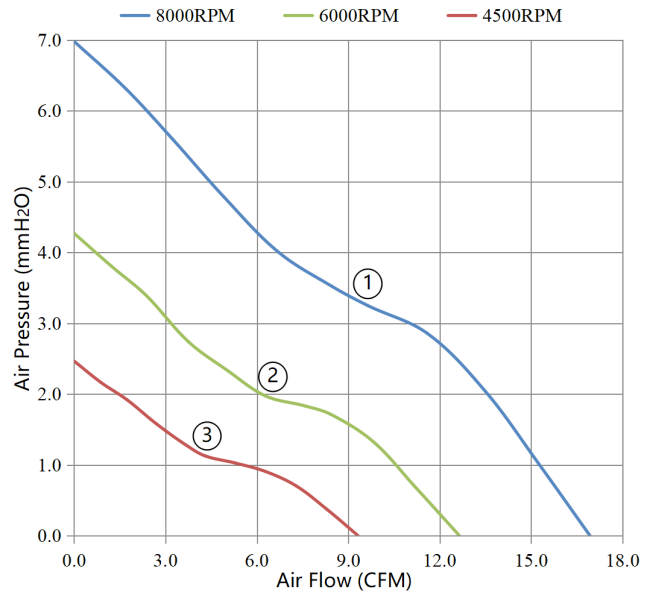
Unit: mm



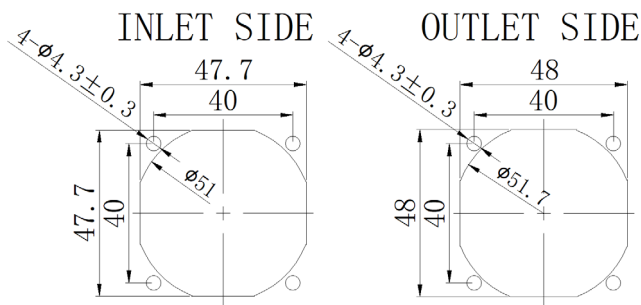
General Specifications

- **Impeller:** Plastic(Black)94V-0
- **Frame:** Plastic(Black)94V-0
- **Bearing:** Ball Bearing
- **Life Expectancy:** 70000hrs at 40°C
- **Operating Temp:** -10°C ~70 °C
- **Wire/Terminal type:** According to the customer's requests
- **Mass Weight:** 25g (Ref)
- **IP Protection Level:** IP50~ IP54

Performance P&Q Curves

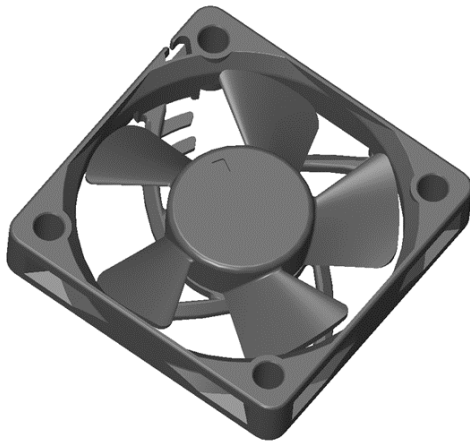


Mounting Panel Cut-outs



Model	Voltage (VDC)	Current (A)	Power (W)	Speed (RPM)	Air Flow (CFM)	Air Pressure (mmH ₂ O)	Noise (db(A))	Curve
A5010ABB-GL01-OE	12	0.14	1.68	4500	9.30	2.50	22.5	3
A5010ABB-GM01-OE	12	0.17	2.04	6000	12.60	4.30	28.5	2
A5010ABB-GM00-OE	12	0.22	2.64	8000	16.90	7.00	37.0	1

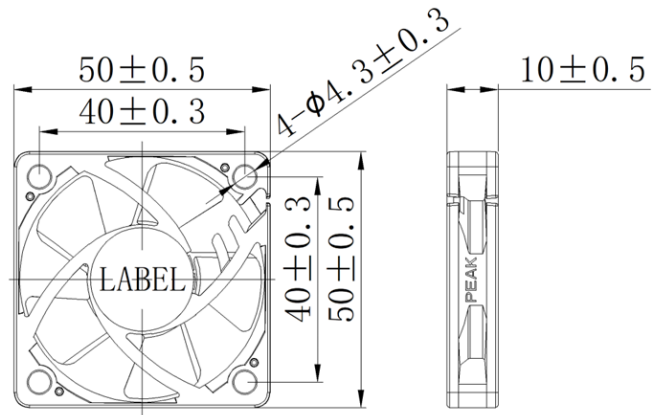
DC Axial Fan - 5010-C



50 x 50 x 10 MM SERIES

External Dimensions

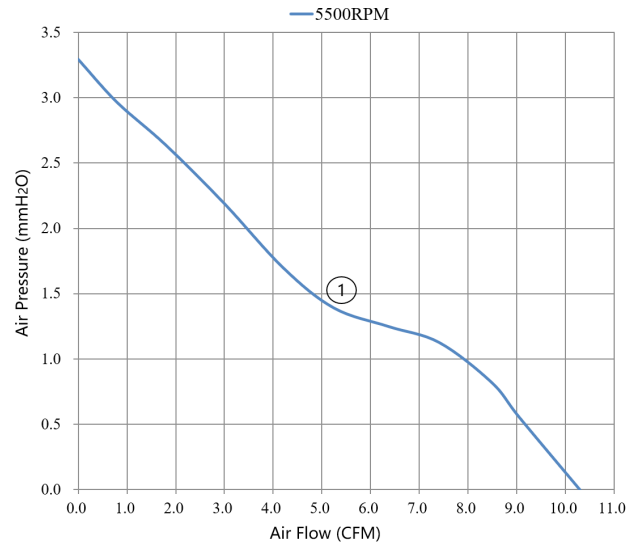
Unit: mm



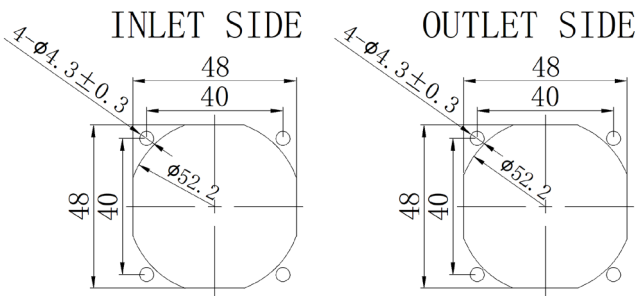
General Specifications

- **Impeller:** Plastic(Black)94V-0
- **Frame:** Plastic(Black)94V-0
- **Bearing:** Sleeve Bearing
- **Life Expectancy:** 30000hrs at 40°C
- **Operating Temp:** -10°C ~70 °C
- **Wire/Terminal type:** According to the customer's requests
- **Mass Weight:** 20g (Ref)
- **IP Protection Level:** IP50~ IP54

Performance P&Q Curves



Mounting Panel Cut-outs



Model	Voltage (VDC)	Current (A)	Power (W)	Speed (RPM)	Air Flow (CFM)	Air Pressure (mmH2O)	Noise (db(A))	Curve
A5010CSA-FL00-0T	5	0.10	0.50	5500	10.30	3.30	27.0	1
A5010CSB-FL00-0T	12	0.05	0.60	5500	10.30	3.30	27.0	1

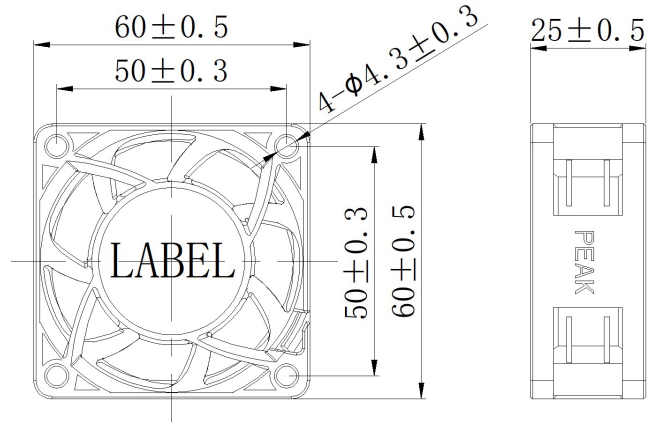
DC Axial Fan - 6025



60 x 60 x 25 MM SERIES

External Dimensions

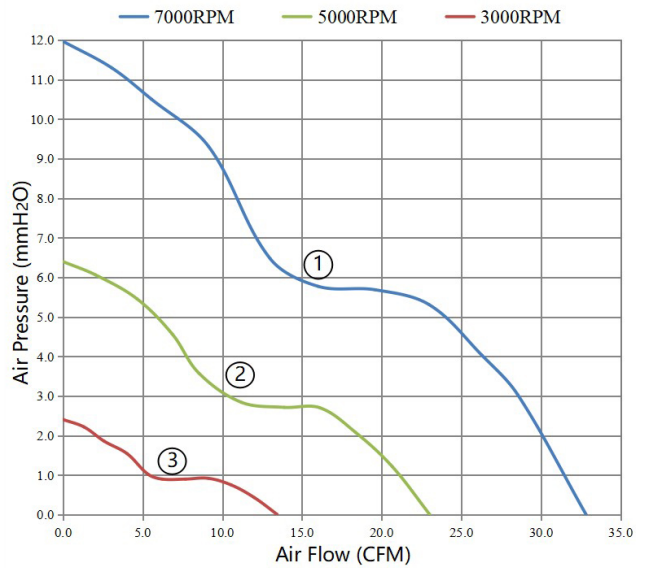
Unit: mm



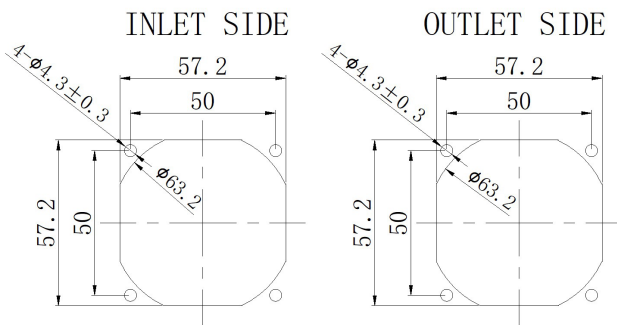
General Specifications

- **Impeller:** Plastic(Black)94V-0
- **Frame:** Plastic(Black)94V-0
- **Bearing:** Ball Bearing
- **Life Expectancy:** 70000hrs at 40°C
- **Operating Temp:** -10°C ~70 °C
- **Wire/Terminal type:** According to the customer's requests
- **Mass Weight:** 80g (Ref)
- **IP Protection Level:** IP50~ IP54

Performance P&Q Curves



Mounting Panel Cut-outs



Model	Voltage (VDC)	Current (A)	Power (W)	Speed (RPM)	Air Flow (CFM)	Air Pressure (mmH2O)	Noise (db(A))	Curve
A6025BBMNG2302SR	12	0.08	0.96	3000	13.40	2.40	30.0	3
A6025BBMNG2301SR	12	0.20	2.40	5000	23.00	6.40	38.0	2
A6025BBMNG2300SR	12	0.25	3.00	7000	32.80	11.90	45.0	1

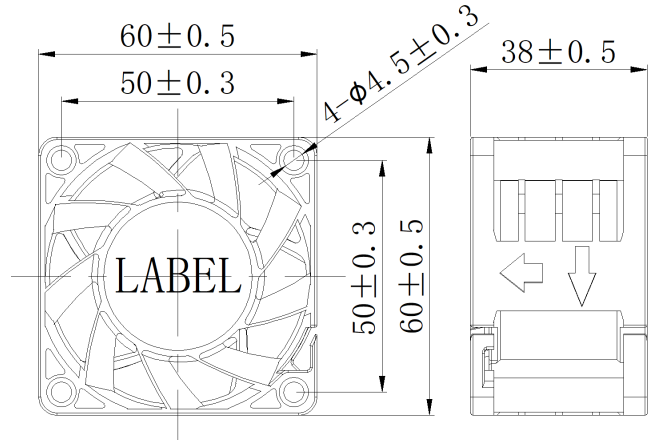
DC Axial Fan - 6038-A



60 x 60 x 38 MM SERIES

External Dimensions

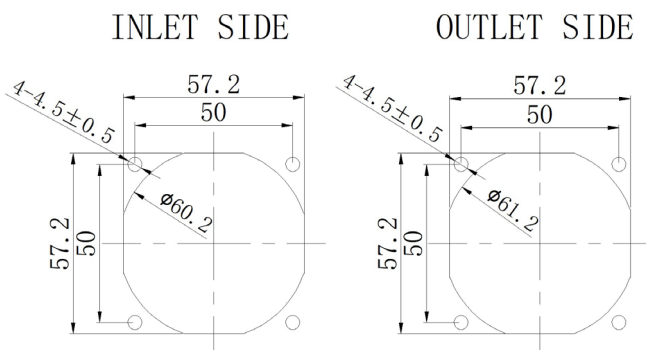
Unit: mm



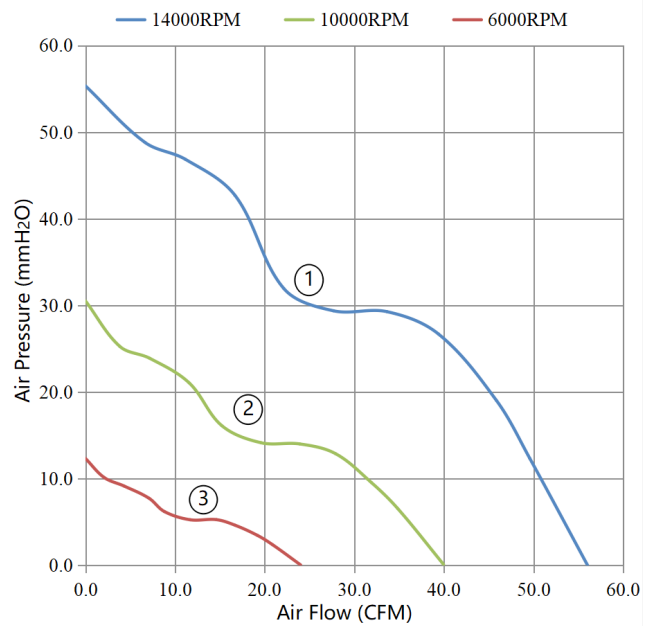
General Specifications

- **Impeller:** Plastic(Black)94V-0
- **Frame:** Plastic(Black)94V-0
- **Bearing:** Ball Bearing
- **Life Expectancy:** 70000hrs at 40°C
- **Operating Temp:** -10°C ~70 °C
- **Wire/Terminal type:** According to the customer's requests
- **Mass Weight:** 120g (Ref)
- **IP Protection Level:** IP50~ IP68

Mounting Panel Cut-outs



Performance P&Q Curves



Model	Voltage (VDC)	Current (A)	Power (W)	Speed (RPM)	Air Flow (CFM)	Air Pressure (mmH2O)	Noise (db(A))	Curve
A6038BBMNG2400SS	12	0.15	1.80	6000	24.00	12.30	38.0	3
A6038BBHNG2400SS	12	0.45	5.40	10000	40.00	30.50	50.5	2
A6038BBUNG2400SS	12	1.08	13.00	14000	56.00	55.30	60.0	1

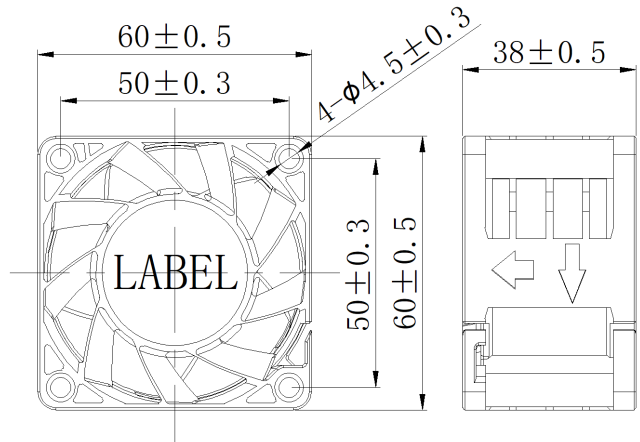
DC Axial Fan - 6038-B



60 x 60 x 38 MM SERIES

External Dimensions

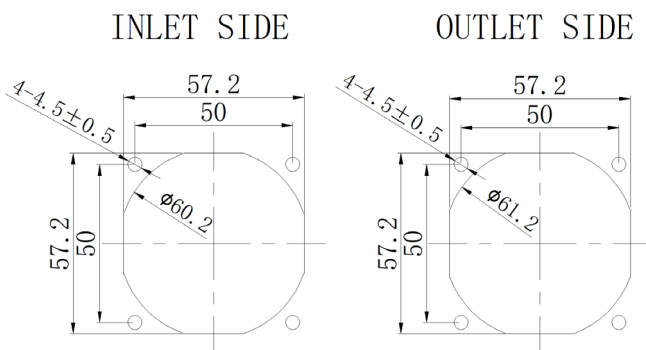
Unit: mm



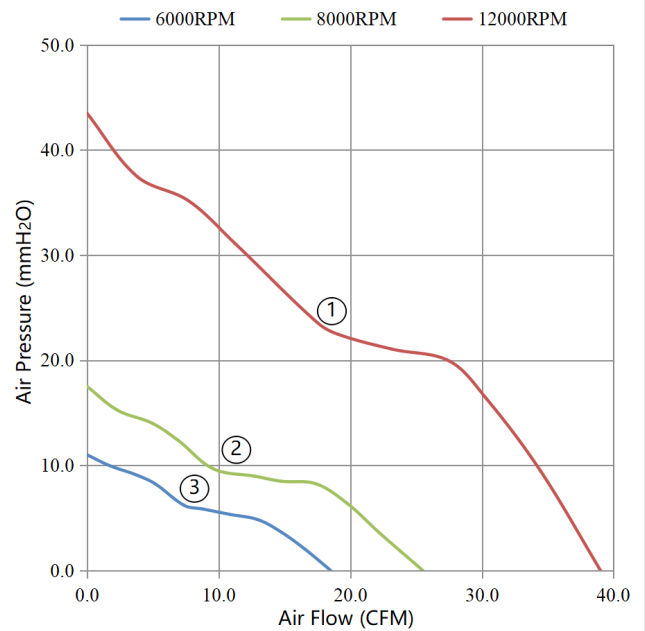
General Specifications

- **Impeller:** Plastic(Black)94V-0
- **Frame:** Plastic(Black)94V-0
- **Bearing:** Ball Bearing
- **Life Expectancy:** 70000hrs at 40°C
- **Operating Temp:** -20°C ~80 °C
- **Wire/Terminal type:** According to the customer's requests
- **Mass Weight:** 125g (Ref)
- **IP Protection Level:** IP50~ IP68

Mounting Panel Cut-outs

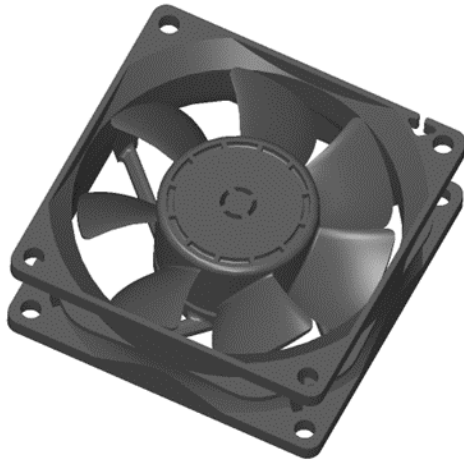


Performance P&Q Curves



Model	Voltage (VDC)	Current (A)	Power (W)	Speed (RPM)	Air Flow (CFM)	Air Pressure (mmH ₂ O)	Noise (db(A))	Curve
A6038BBB-GM02-OR	12	0.15	1.80	6000	18.50	11.00	37.0	3
A6038BBB-GM01-OR	12	0.17	2.00	8000	25.50	17.50	42.0	2
A6038BBB-GH01-OR	12	0.37	4.40	12000	39.00	43.50	52.5	1

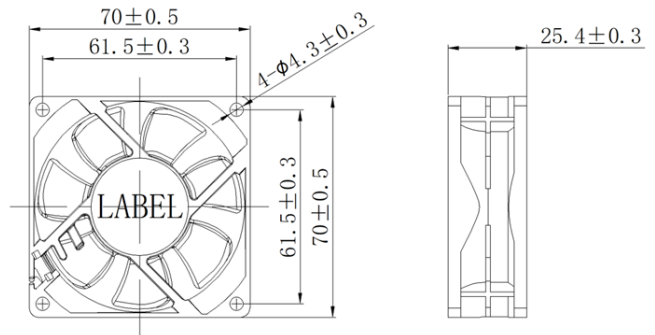
DC Axial Fan - 7025



70 x 70 x 25.4 MM SERIES

External Dimensions

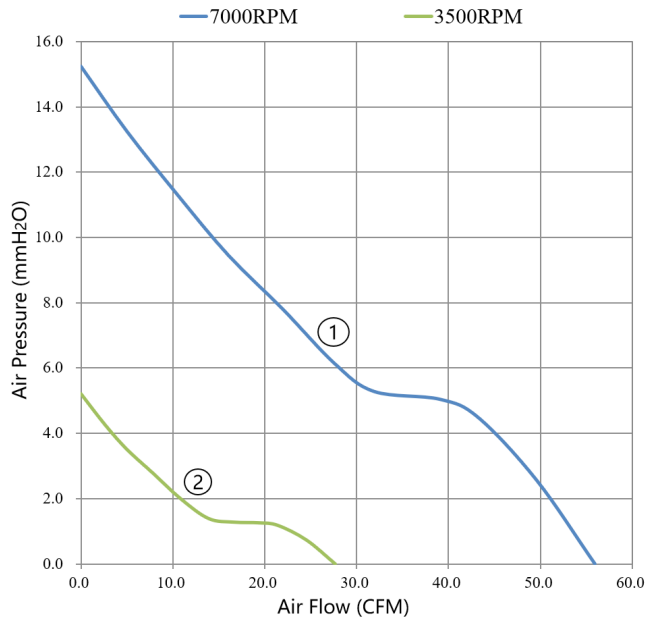
Unit: mm



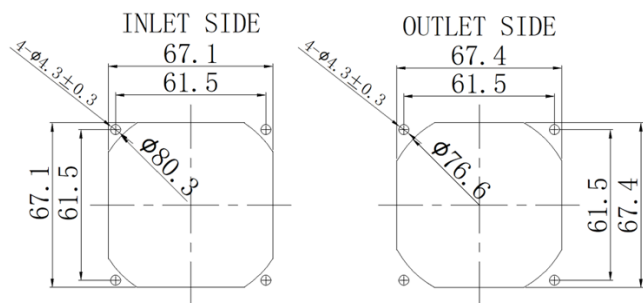
General Specifications

- **Impeller:** Plastic(Black)94V-0
- **Frame:** Plastic(Black)94V-0
- **Bearing:** Sleeve or Ball Bearing
- **Life Expectancy:** 30000hrs or 70000hrs at 40°C
- **Operating Temp:** -10°C ~70 °C
- **Wire/Terminal type:** According to the customer's requests
- **Mass Weight:** 67g (Ref)
- **IP Protection Level:** IP50~ IP54

Performance P&Q Curves



Mounting Panel Cut-outs



Model	Voltage (VDC)	Current (A)	Power (W)	Speed (RPM)	Air Flow (CFM)	Air Pressure (mmH2O)	Noise (db(A))	Curve
A7025ASB-FL00-0T	12	0.50	6.00	3500	27.70	5.20	32.0	2
A7025BBB-GM00-0R	12	0.10	1.20	7000	56.00	15.20	48.0	1

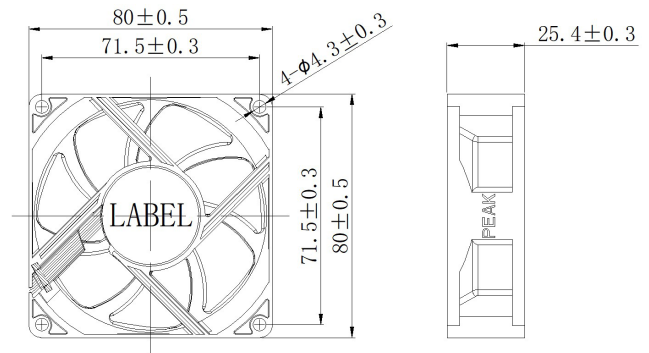
DC Axial Fan - 8025



80 x 80 x 25.4 MM SERIES

External Dimensions

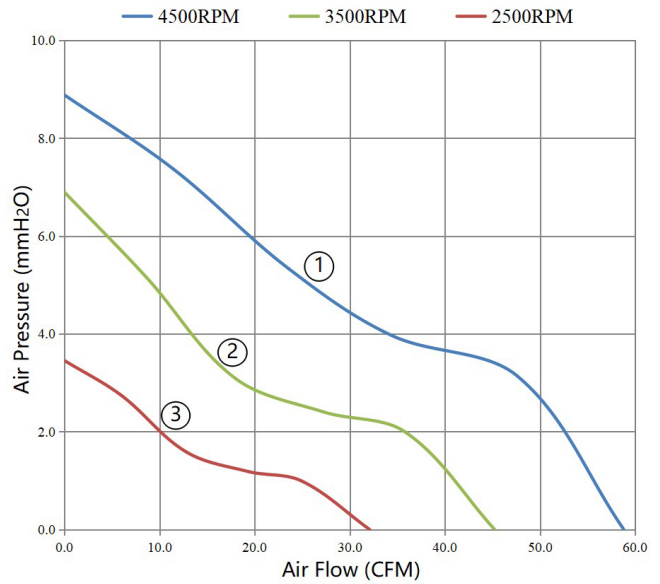
Unit: mm



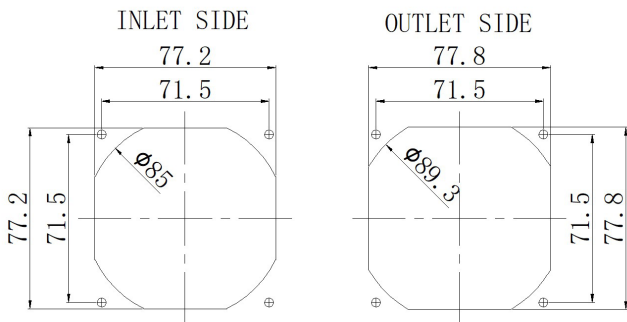
General Specifications

- **Impeller:** Plastic(Black)94V-0
- **Frame:** Plastic(Black)94V-0
- **Bearing:** Sleeve or Ball Bearing
- **Life Expectancy:** 30000hrs or 70000hrs at 40°C
- **Operating Temp:** -20°C ~80 °C
- **Wire/Terminal type:** According to the customer's requests
- **Mass Weight:** 88g (Ref)
- **IP Protection Level:** IP50~ IP68

Performance P&Q Curves

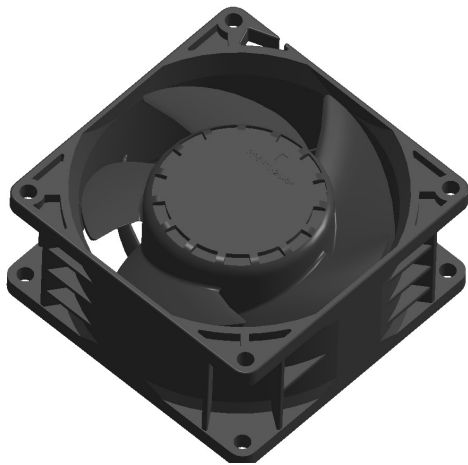


Mounting Panel Cut-outs



Model	Voltage (VDC)	Current (A)	Power (W)	Speed (RPM)	Air Flow (CFM)	Air Pressure (mmH2O)	Noise (db(A))	Curve
A8025BBLNF2300SR	12	0.08	0.96	2500	32.00	3.40	28.0	3
A8025BBMNF2300SR	12	1.80	1.80	3500	45.20	6.80	37.0	2
A8025BHMNF2300SR	12	0.29	3.48	4500	58.50	8.90	43.0	1

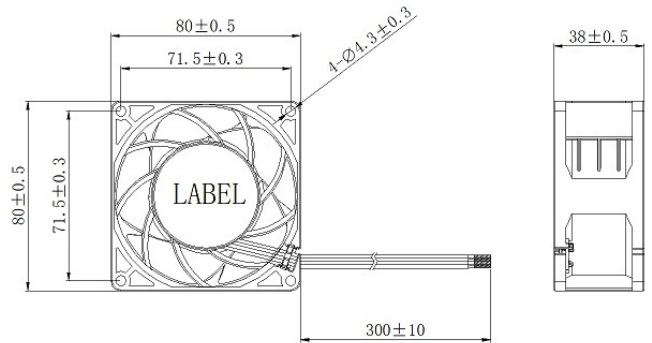
DC Axial Fan - 8038



80 x 80 x 38 MM SERIES

External Dimensions

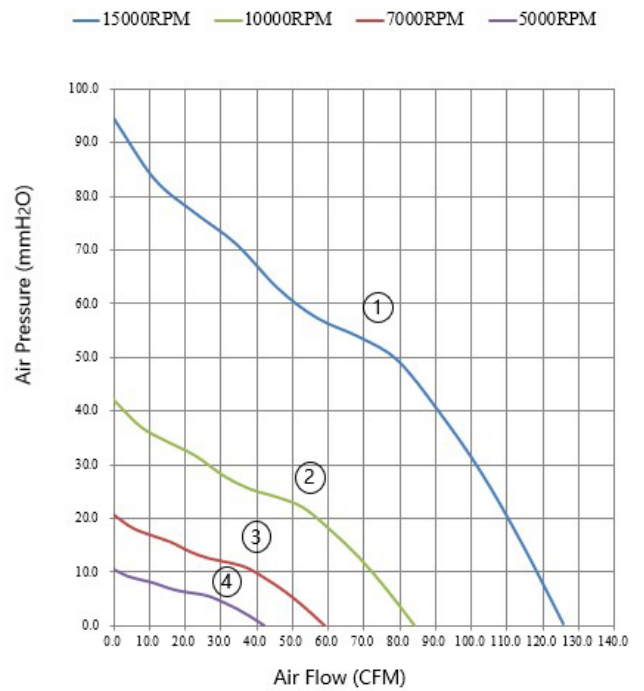
Unit: mm



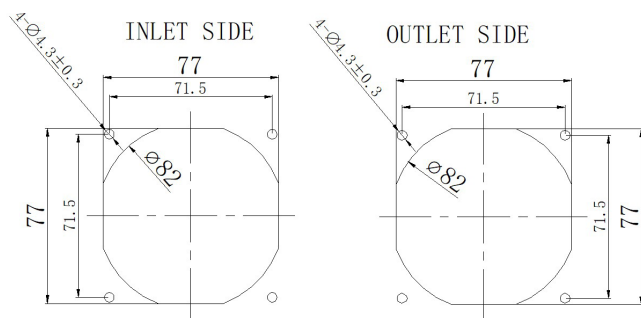
General Specifications

- Impeller: Plastic(Black)94V-0
- Frame: Plastic(Black)94V-0
- Bearing: Ball Bearing
- Life Expectancy: 70000hrs at 40°C
- Operating Temp: -10°C ~70 °C
- Wire/Terminal type: According to the customer's requests
- Mass Weight: 200g (Ref)
- IP Protection Level: IP50~ IP54

Performance P&Q Curves

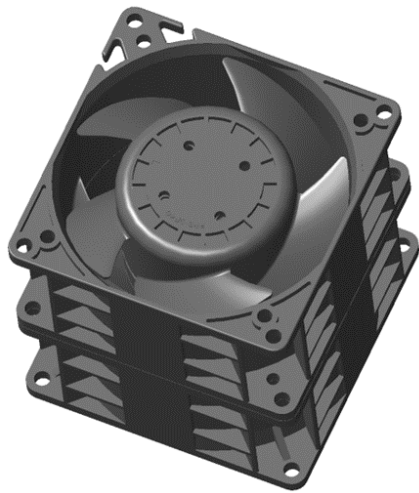


Mounting Panel Cut-outs



Model	Voltage (VDC)	Current (A)	Power (W)	Speed (RPM)	Air Flow (CFM)	Air Pressure (mmH2O)	Noise (db(A))	Curve
A8038BBUNF2300SR	12	3.00	36.00	15000	125.66	94.60	69.0	1
A8038BBUNF2301SR	12	1.10	13.20	10000	83.85	42.12	61.0	2
A8038BBUNF2302SR	12	0.50	6.00	7000	58.69	20.64	53.0	3
A8038BBUNF2303SR	12	0.18	2.16	5000	11.47	11.87	46.0	4

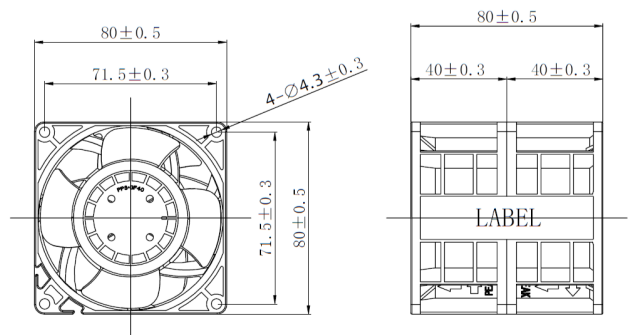
DC Axial Fan - 8080-A



80 x 80 x 80 MM SERIES

External Dimensions

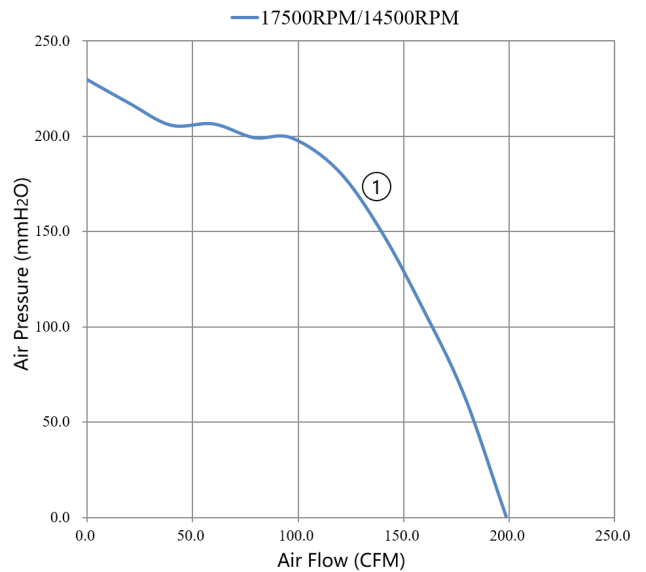
Unit: mm



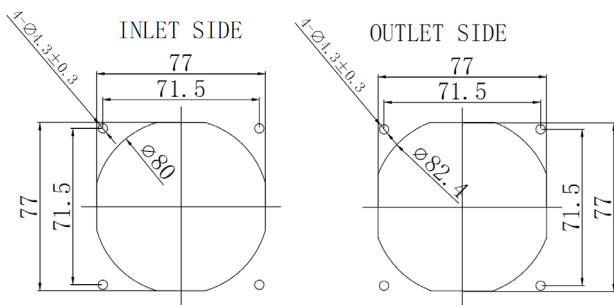
General Specifications

- **Impeller:** Plastic(Black)94V-0
- **Frame:** Plastic(Black)94V-0
- **Bearing:** Ball Bearing
- **Life Expectancy:** 70000hrs at 40°C
- **Operating Temp:** -10°C ~70 °C
- **Wire/Terminal type:** According to the customer's requests
- **Mass Weight:** 580g (Ref)
- **IP Protection Level:** IP50~ IP55

Performance P&Q Curves

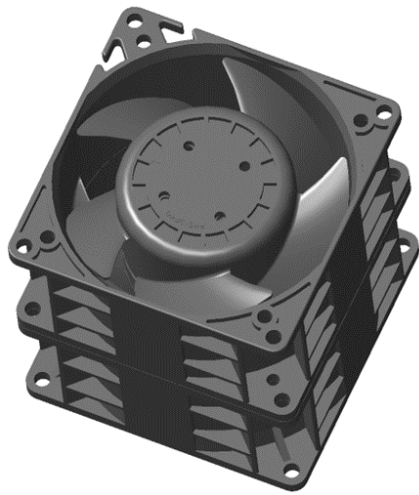


Mounting Panel Cut-outs



Model	Voltage (VDC)	Current (A)	Power (W)	Speed (RPM)	Air Flow (CFM)	Air Pressure (mmH2O)	Noise (db(A))	Curve
A8080ABG-GH00-0S	54	2.30	124.20	17500/14500	198.70	229.60	85.0	1

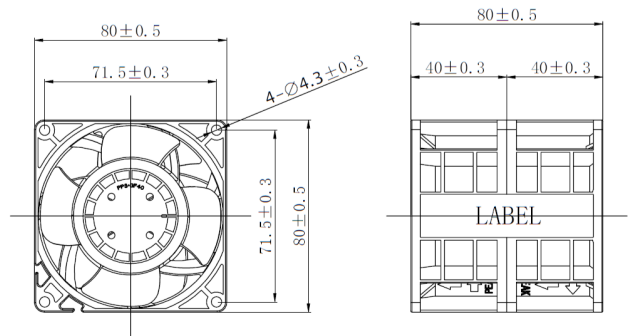
DC Axial Fan - 8080-B



80 x 80 x 80 MM SERIES

External Dimensions

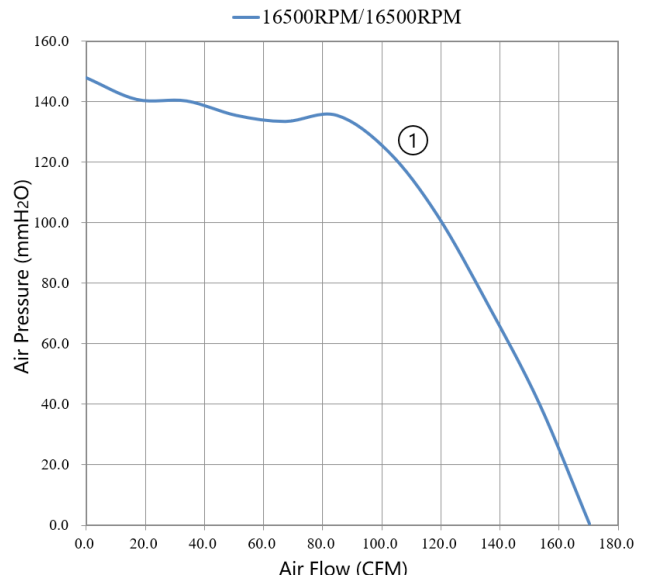
Unit: mm



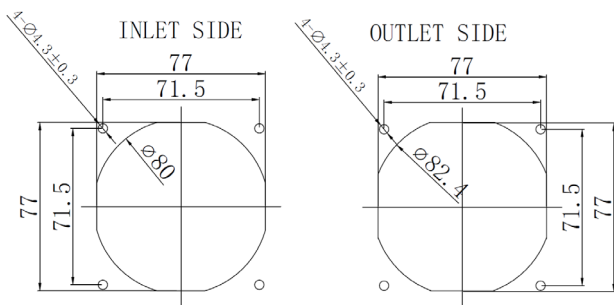
General Specifications

- **Impeller:** Plastic(Black)94V-0
- **Frame:** Plastic(Black)94V-0
- **Bearing:** Sleeve or Ball Bearing
- **Life Expectancy:** 70000hrs at 40°C
- **Operating Temp:** -10°C ~70 °C
- **Wire/Terminal type:** According to the customer's requests
- **Mass Weight:** 580g (Ref)
- **IP Protection Level:** IP50~ IP55

Performance P&Q Curves

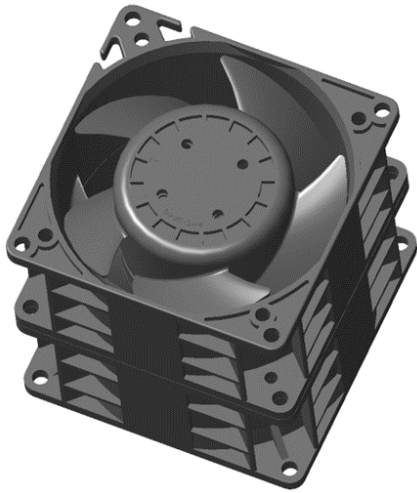


Mounting Panel Cut-outs



Model	Voltage (VDC)	Current (A)	Power (W)	Speed (RPM)	Air Flow (CFM)	Air Pressure (mmH2O)	Noise (db(A))	Curve
A8080ABB-GH00-1S	12	7.00	84.00	16500/16500	170.20	147.80	77.5	1

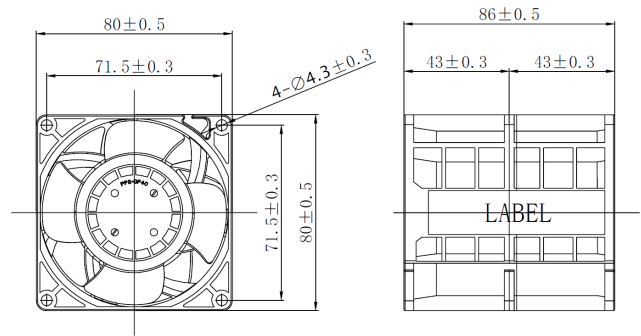
DC Axial Fan - 8086-A



80 x 80 x 86 MM SERIES

External Dimensions

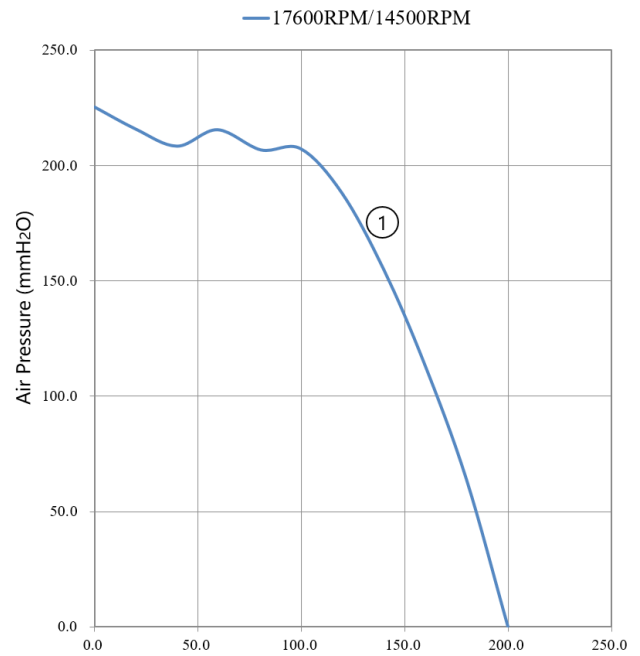
Unit: mm



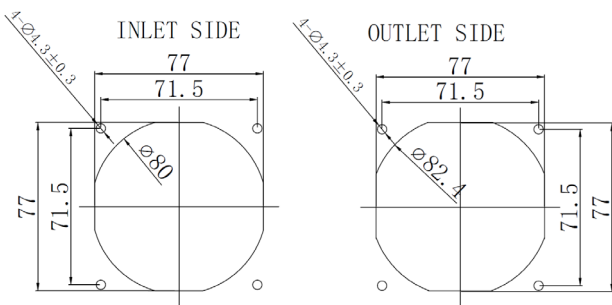
General Specifications

- **Impeller:** Plastic(Black)94V-0
- **Frame:** Plastic(Black)94V-0
- **Bearing:** Ball Bearing
- **Life Expectancy:** 70000hrs at 40°C
- **Operating Temp:** -10°C ~70 °C
- **Wire/Terminal type:** According to the customer's requests
- **Mass Weight:** 610g (Ref)
- **IP Protection Level:** IP50~ IP55

Performance P&Q Curves

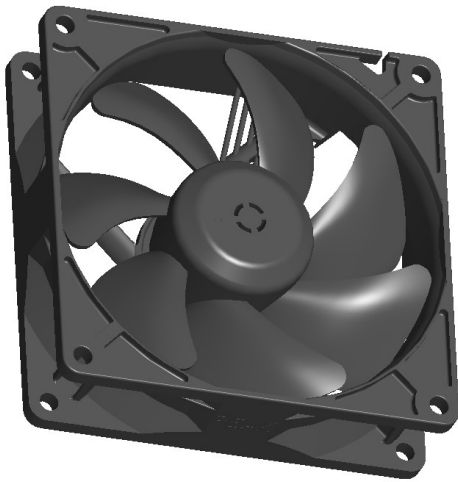


Mounting Panel Cut-outs



Model	Voltage (VDC)	Current (A)	Power (W)	Speed (RPM)	Air Flow (CFM)	Air Pressure (mmH2O)	Noise (db(A))	Curve
A8086ABG-GH00-0S	54	2.25	121.50	17600/14500	200.00	225.20	85.0	1

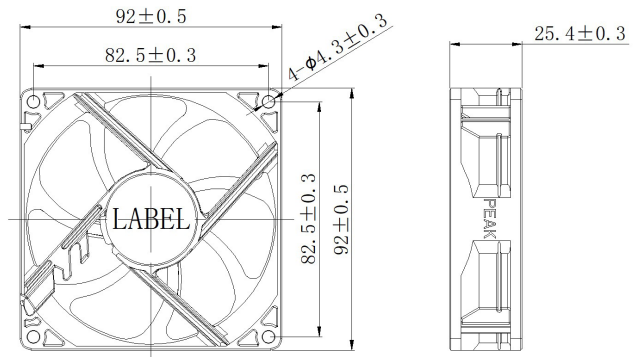
DC Axial Fan - 9225-A



92 x 92 x 25.4 MM SERIES

External Dimensions

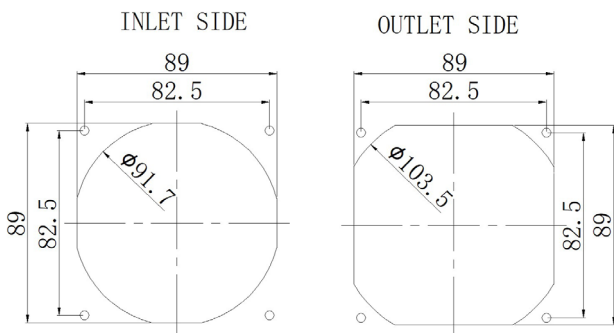
Unit: mm



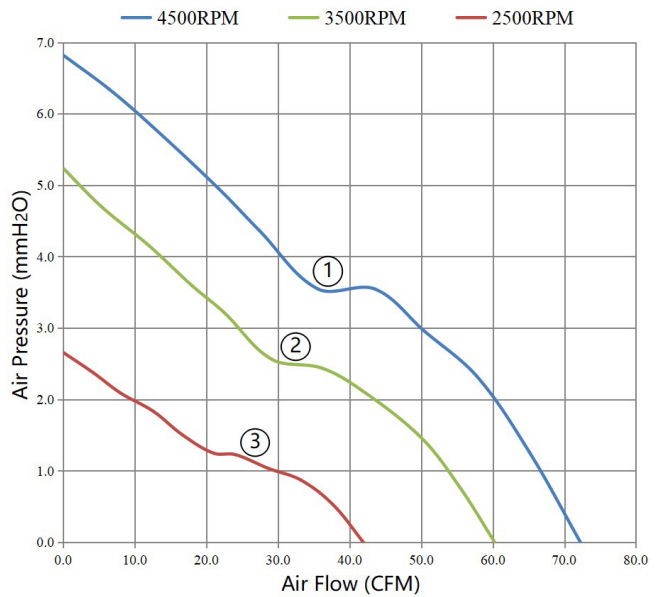
General Specifications

- **Impeller:** Plastic(Black)94V-0
- **Frame:** Plastic(Black)94V-0
- **Bearing:** Sleeve or Ball Bearing
- **Life Expectancy:** 30000hrs or 70000hrs at 40°C
- **Operating Temp:** -20°C ~80 °C
- **Wire/Terminal type:** According to the customer's requests
- **Mass Weight:** 96g (Ref)
- **IP Protection Level:** IP50~ IP68

Mounting Panel Cut-outs

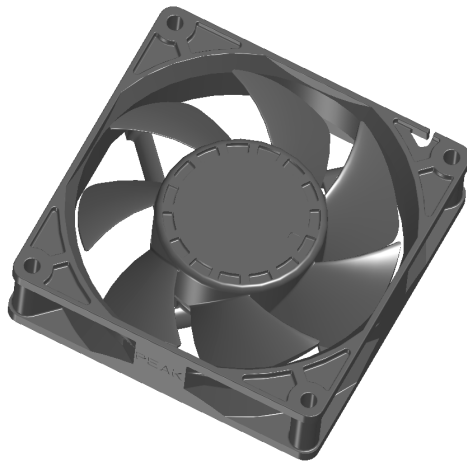


Performance P&Q Curves



Model	Voltage (VDC)	Current (A)	Power (W)	Speed (RPM)	Air Flow (CFM)	Air Pressure (mmH2O)	Noise (db(A))	Curve
A9225BBLNF2300SR	12	0.10	1.20	2500	42.00	2.70	30.0	3
A9225BBMNF2300SR	12	0.26	3.12	3500	60.30	5.20	39.0	2
A9225BHMNF2300SR	12	0.50	6.00	4500	72.30	6.80	46.0	1

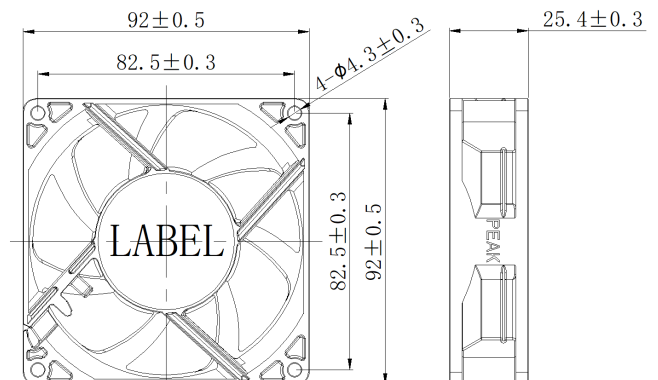
DC Axial Fan - 9225-B



92 x 92 x 25.4 MM SERIES

External Dimensions

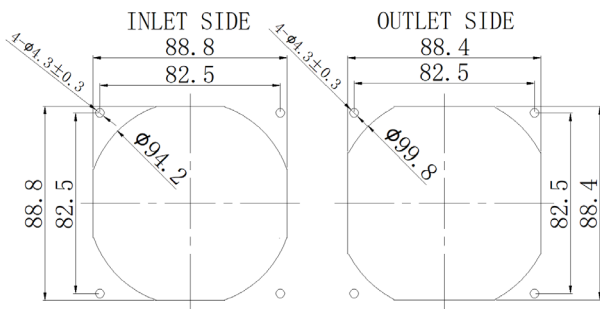
Unit: mm



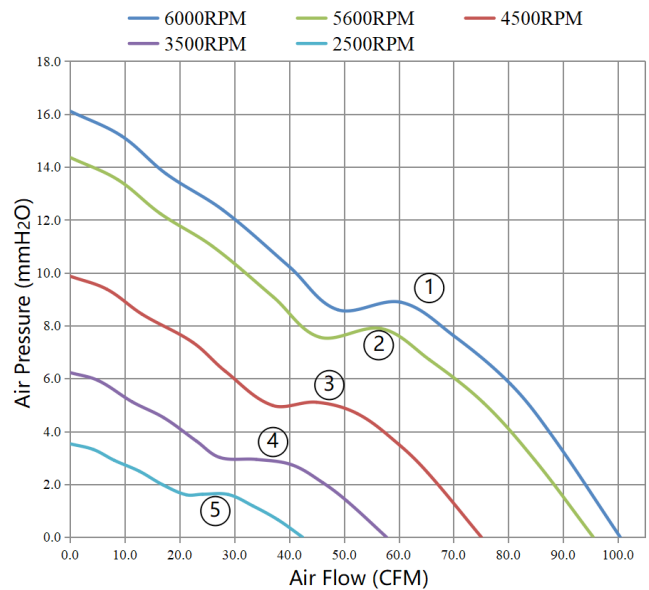
General Specifications

- **Impeller:** Plastic(Black)94V-0
- **Frame:** Plastic(Black)94V-0
- **Bearing:** Ball Bearing
- **Life Expectancy:** 30000hrs or 70000hrs at 40°C
- **Operating Temp:** -20°C ~80 °C
- **Wire/Terminal type:** According to the customer's requests
- **Mass Weight:** 96g (Ref)
- **IP Protection Level:** IP50~ IP68

Mounting Panel Cut-outs



Performance P&Q Curves



Model	Voltage (VDC)	Current (A)	Power (W)	Speed (RPM)	Air Flow (CFM)	Air Pressure (mmH2O)	Noise (db(A))	Curve
A9225CBB-GM00-OE	12	0.75	9.00	6000	100.40	16.10	54.5	1
A9225CBB-GL00-OE	12	0.65	7.80	5600	95.50	14.30	52.0	2
A9225CBB-GL02-OE	12	0.40	4.80	4500	75.10	9.90	46.5	3
A9225CBB-GL04-OE	12	0.18	2.16	3500	57.70	6.20	40.5	4
A9225CBB-GE00-OE	12	0.08	0.96	2500	42.40	3.50	30.5	5

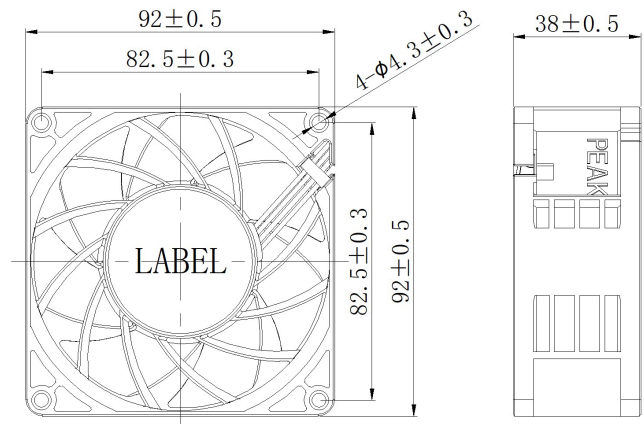
DC Axial Fan - 9238-A



92 x 92 x 38 MM SERIES

External Dimensions

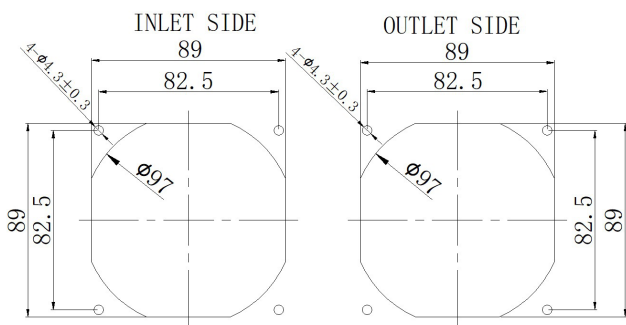
Unit: mm



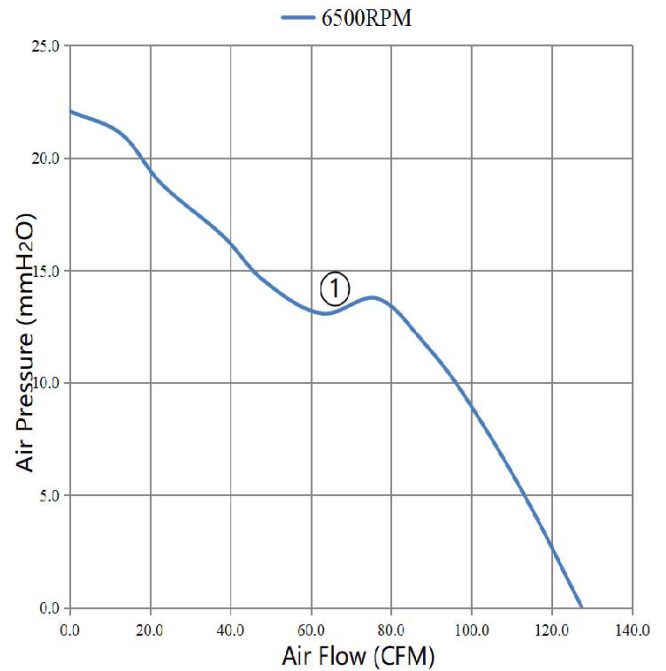
General Specifications

- **Impeller:** Plastic(Black)94V-0
- **Frame:** Plastic(Black)94V-0
- **Bearing:** Ball Bearing
- **Life Expectancy:** 70000hrs at 40°C
- **Operating Temp:** -10°C ~70 °C
- **Wire/Terminal type:** According to the customer's requests
- **Mass Weight:** 290g (Ref)
- **IP Protection Level:** IP50~ IP68

Mounting Panel Cut-outs

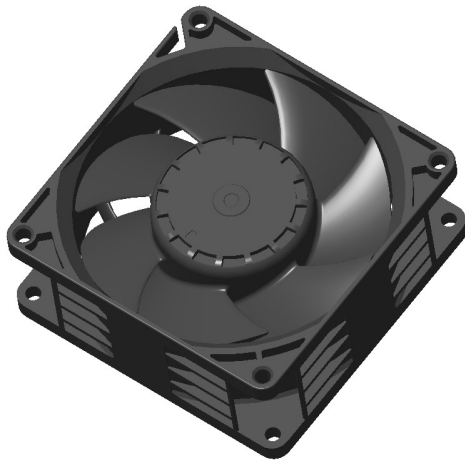


Performance P&Q Curves



Model	Voltage (VDC)	Current (A)	Power (W)	Speed (RPM)	Air Flow (CFM)	Air Pressure (mmH2O)	Noise (db(A))	Curve
A9238CBMNF2300SR	24	0.56	13.44	6500	127.40	22.00	56.5	1

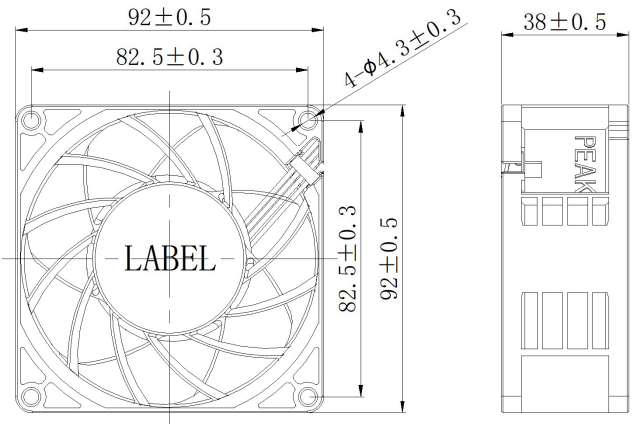
DC Axial Fan - 9238-B



92 x 92 x 38 MM SERIES

External Dimensions

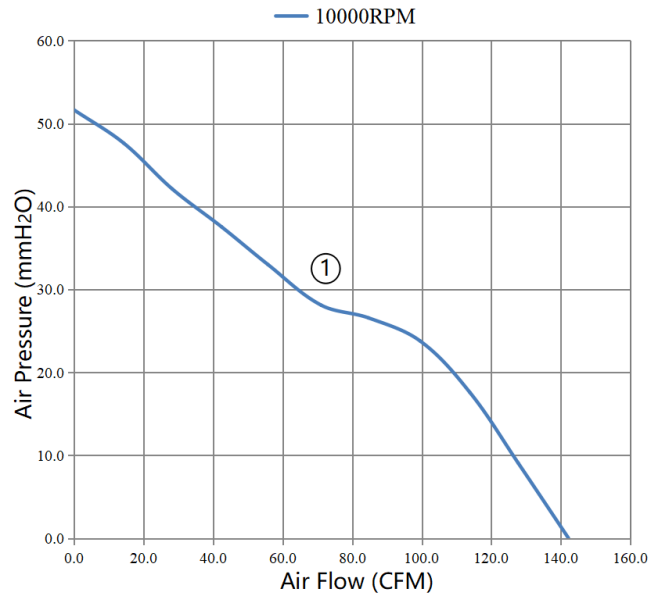
Unit: mm



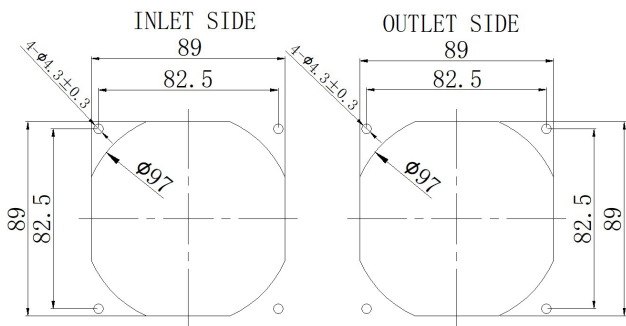
General Specifications

- Impeller: Plastic(Black)94V-0
- Frame: Plastic(Black)94V-0
- Bearing: Ball Bearing
- Life Expectancy: 70000hrs at 40°C
- Operating Temp: -10°C ~70 °C
- Wire/Terminal type: According to the customer's requests
- Mass Weight: 290g (Ref)
- IP Protection Level: IP50~ IP68

Performance P&Q Curves

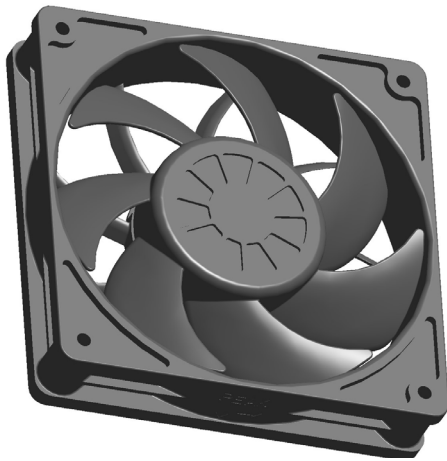


Mounting Panel Cut-outs



Model	Voltage (VDC)	Current (A)	Power (W)	Speed (RPM)	Air Flow (CFM)	Air Pressure (mmH2O)	Noise (db(A))	Curve
A9238CBMNF2300SR	24	1.00	24.00	10000	142.20	51.60	65.0	1

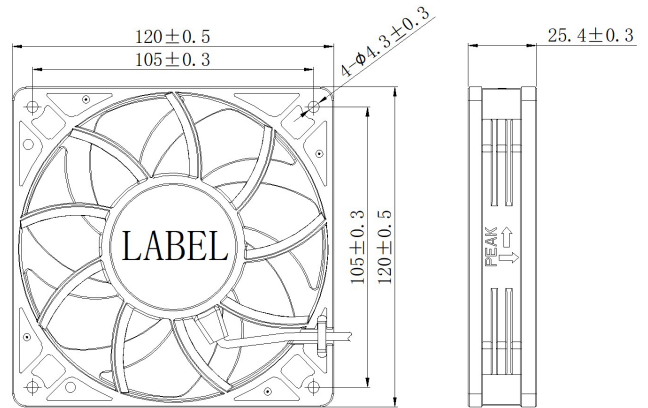
DC Axial Fan - 12025



120 x 120 x 25.4 MM SERIES

External Dimensions

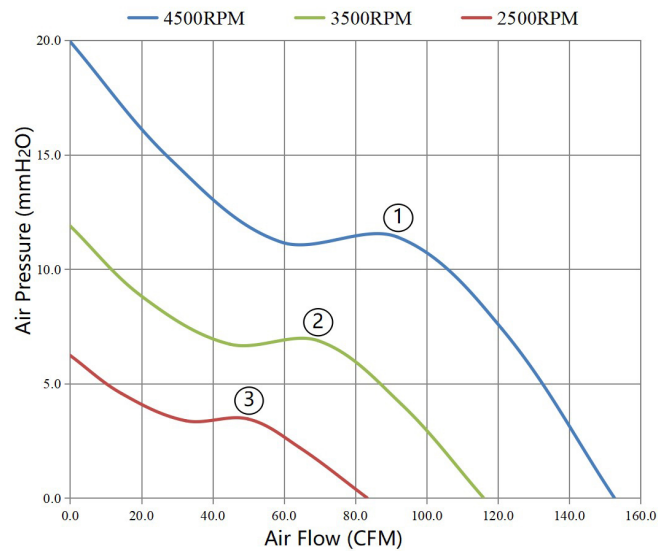
Unit: mm



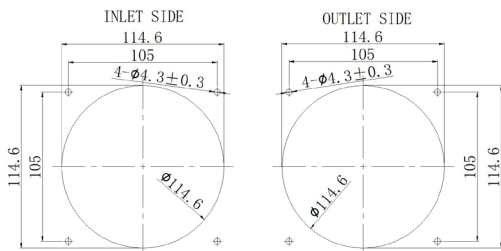
General Specifications

- **Impeller:** Plastic(Black)94V-0
- **Frame:** Plastic(Black)94V-0
- **Bearing:** Ball Bearing
- **Life Expectancy:** 120000hrs at 50 °C
- **Operating Temp:** -20°C ~80 °C
- **Wire/Terminal type:** According to the customer's requests
- **Mass Weight:** 240g (Ref)
- **IP Protection Level:** IP50~ IP68

Performance P&Q Curves



Mounting Panel Cut-outs



Model	Voltage (VDC)	Current (A)	Power (W)	Speed (RPM)	Air Flow (CFM)	Air Pressure (mmH2O)	Noise (db(A))	Curve
AC025BBLNF2100SS	12	0.26	3.12	2500	83.20	6.20	40.0	3
AC025BBMNF2100SS	12	0.56	6.72	3500	115.90	11.90	50.5	2
AC025CBHNF2100SR	24	0.12	2.88	2500	83.20	6.20	40.0	3
AC025CBHNF2100SR	24	0.24	5.76	3500	115.90	11.90	50.5	2
AC025CBHNF2100SR	24	0.53	12.72	4500	152.70	19.90	56.0	1
AC025EBLNF2100ST	48	0.08	3.84	2500	83.20	6.20	40.0	3
AC025EBMNF2100ST	48	0.15	7.20	3500	115.90	11.90	50.5	2
AC025EBHNF2100ST	48	0.28	13.44	4500	152.70	19.90	56.0	1

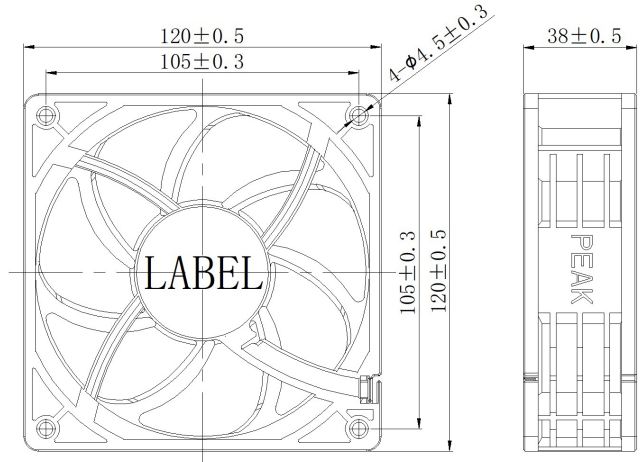
DC Axial Fan - 12038-A



120 x 120 x 38 MM SERIES

External Dimensions

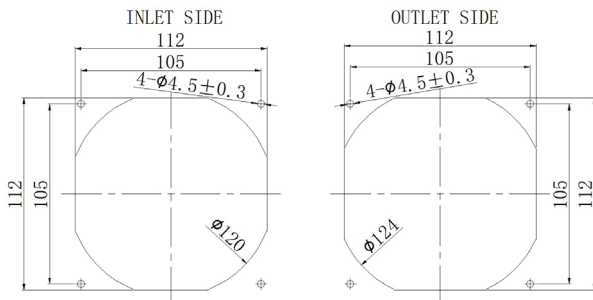
Unit: mm



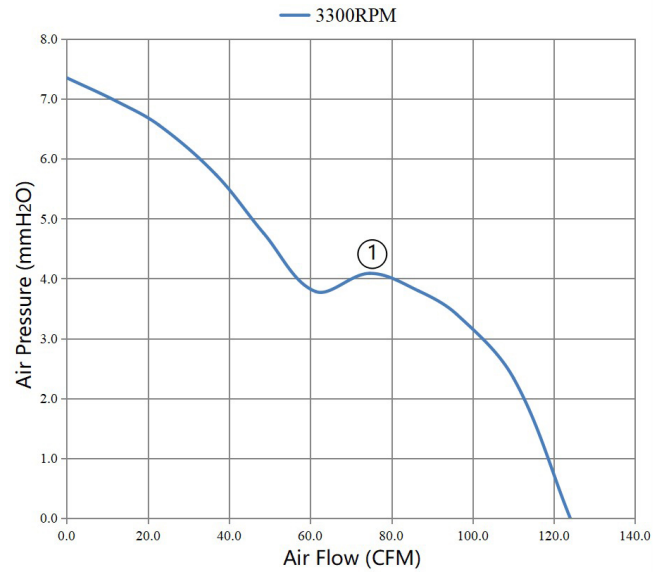
General Specifications

- Impeller: Plastic(Black)94V-0
- Frame: Plastic(Black)94V-0
- Bearing: Ball Bearing
- Life Expectancy: 70000hrs at 40°C
- Operating Temp: -10°C ~70 °C
- Wire/Terminal type: According to the customer's requests
- Mass Weight: 320g (Ref)
- IP Protection Level: IP50~ IP54

Mounting Panel Cut-outs



Performance P&Q Curves



Model	Voltage (VDC)	Current (A)	Power (W)	Speed (RPM)	Air Flow (CFM)	Air Pressure (mmH2O)	Noise (db(A))	Curve
A1238BBLNG2300SR	12	0.50	6.00	3300	124.00	7.35	45.0	1

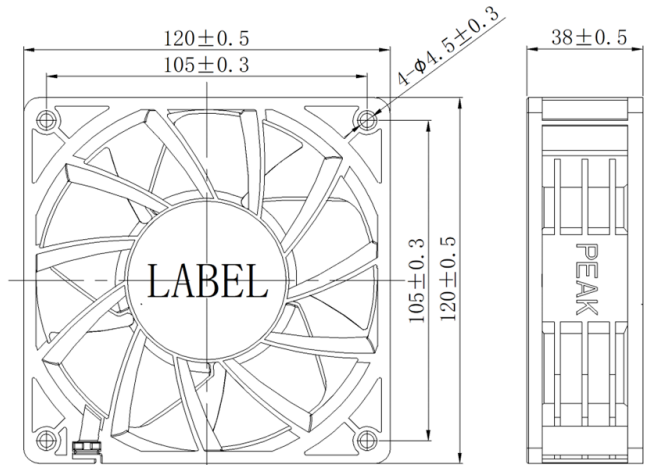
DC Axial Fan - 12038-B



120 x 120 x 38 MM SERIES

External Dimensions

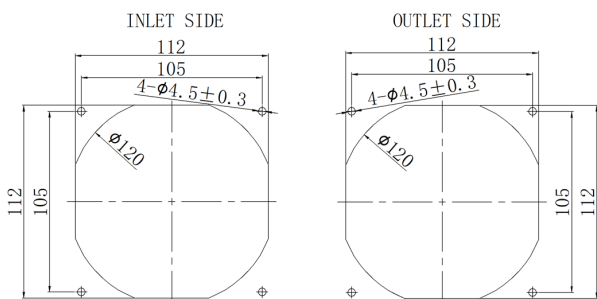
Unit: mm



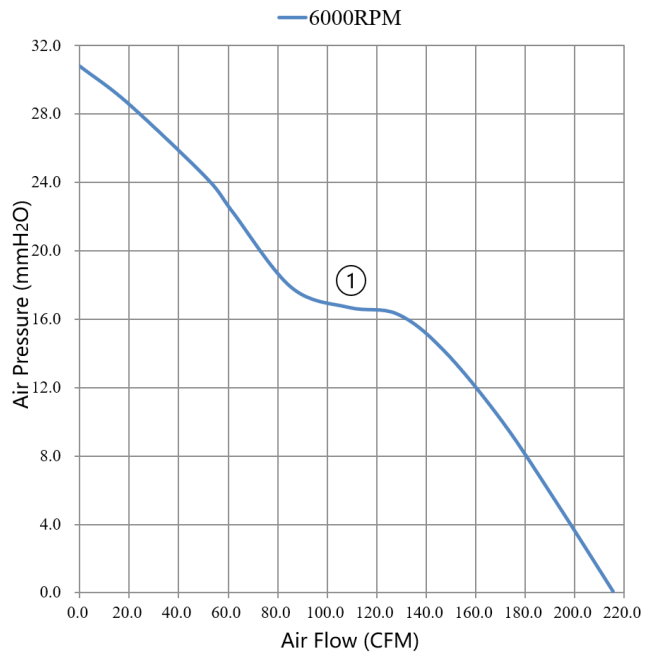
General Specifications

- **Impeller:** Plastic(Black)94V-0
- **Frame:** Plastic(Black)94V-0
- **Bearing:** Ball Bearing
- **Life Expectancy:** 70000hrs at 40°C
- **Operating Temp:** -10°C ~70 °C
- **Wire/Terminal type:** According to the customer's requests
- **Mass Weight:** 380g (Ref)
- **IP Protection Level:** IP50~ IP54

Mounting Panel Cut-outs

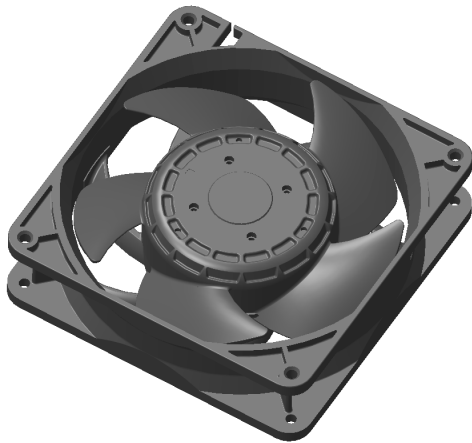


Performance P&Q Curves



Model	Voltage (VDC)	Current (A)	Power (W)	Speed (RPM)	Air Flow (CFM)	Air Pressure (mmH2O)	Noise (db(A))	Curve
AC038BBC-GM00-0E	24	1.15	27.60	6000	215.50	30.80	63.0	1

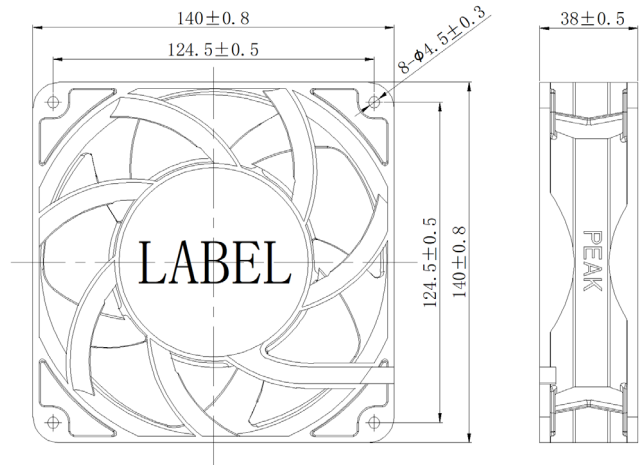
DC Axial Fan - 14038



140 x 140 x 38 MM SERIES

External Dimensions

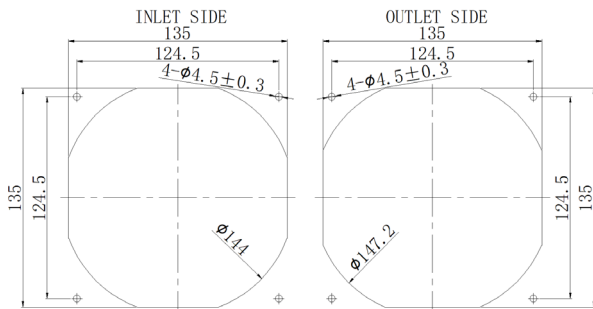
Unit: mm



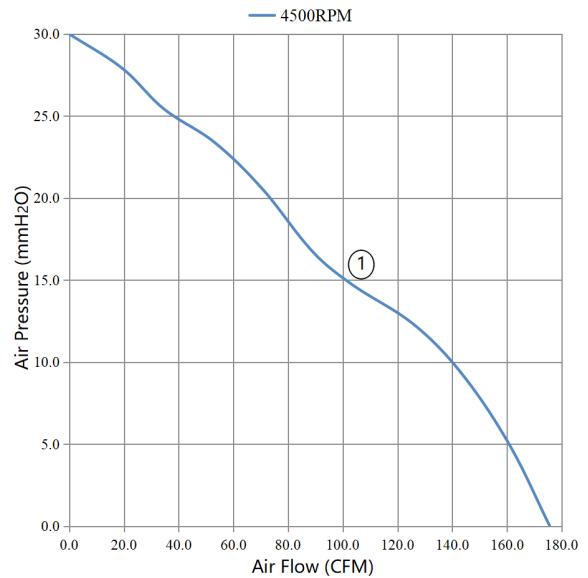
General Specifications

- **Impeller:** Plastic(Black)94V-0
- **Frame:** Aluminum or Plastic (Black)94V-0
- **Bearing:** Ball Bearing
- **Life Expectancy:** 70000hrs at 40°C
- **Operating Temp:** -20°C ~70 °C
- **Wire/Terminal type:** According to the customer's requests
- **Mass Weight:** 580g (Ref)
- **IP Protection Level:** IP50~ IP56

Mounting Panel Cut-outs

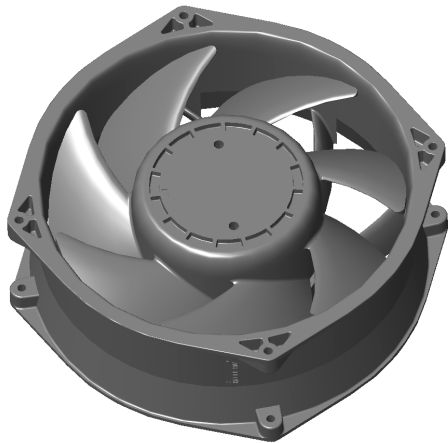


Performance P&Q Curves



Model	Voltage (VDC)	Current (A)	Power (W)	Speed (RPM)	Air Flow (CFM)	Air Pressure (mmH2O)	Noise (db(A))	Curve
AE038ABB-GL00-0C	14	1.00	14.00	4500	175.50	30.50	59.0	1

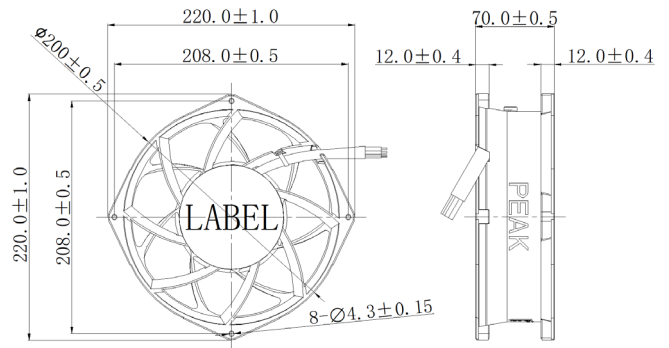
DC Axial Fan - 20070



Φ200 x 70 MM SERIES

External Dimensions

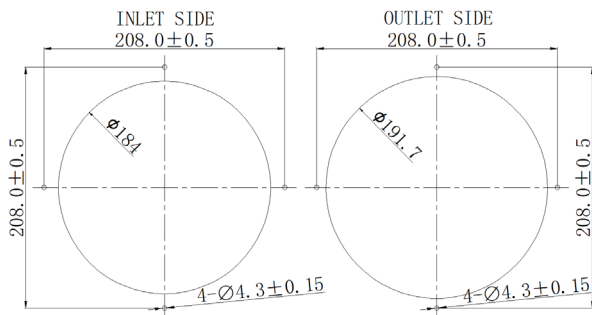
Unit: mm



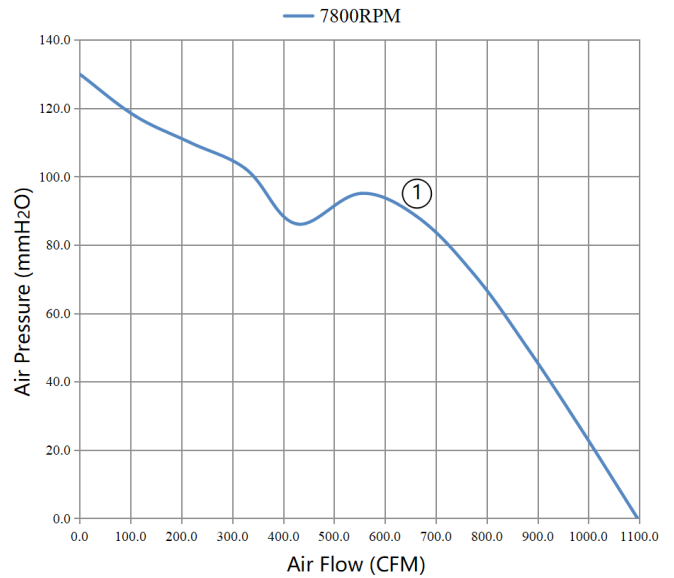
General Specifications

- **Impeller:** Plastic(Black)94V-0
- **Frame:** Aluminum (Black coating)
- **Bearing:** Ball Bearing
- **Life Expectancy:** 70000hrs at 40°C
- **Operating Temp:** -20°C ~70 °C
- **Wire/Terminal type:** According to the customer's requests
- **Mass Weight:** 2.1Kg (Ref)
- **IP Protection Level:** IP50~ IP56

Mounting Panel Cut-outs



Performance P&Q Curves



Model	Voltage (VDC)	Current (A)	Power (W)	Speed (RPM)	Air Flow (CFM)	Air Pressure (mmH2O)	Noise (db(A))	Curve
AK070ABR-FM00-0S	50	8.00	400.00	7800	1096.00	129.00	80.5	1

CONTACTS

🏠 258 Dongping Road, Bacheng Town,
Kunshan City, Jiangsu Province(P.R.C)

☎ Andy / 15950921319

✉ andy_li@elepeak.com

🌐 www.elepeak.com